



Control[®] 25AV-LS

Two-Way, Professional
Compact Loudspeaker
for Life / Safety
Applications

Professional Series

Key Features:

- ▶ UL 1480 UUMW Listed for Use in Fire Alarm and/or Emergency Communication Systems
- ▶ Extremely Smooth Frequency Response
- ▶ Aluminum Grille with Polyester Powder Coating for Enhanced Durability
- ▶ 60 Watt Transformer for 70V or 100V Lines, with 8 ohm Bypass
- ▶ SonicGuard™ Overload Protection
- ▶ 130 mm (5¼") Polypropylene Coated Woofer, 10 mm (¾") Titanium Coated Horn-Loaded Tweeter
- ▶ Includes InvisiBall® Mounting Hardware and Sealed Input Panel Cover
- ▶ Captive Screw-Down Input Terminals
- ▶ 110° x 85° High-Frequency Horn

Applications:

The Control[®] 25AV-LS is built on the same platform as our popular Control 25AV and is UL 1480 UUMW Listed for use in fire alarm and/or emergency communication systems. The Control 25AV-LS utilizes a deep cabinet, high power components and complex network to achieve extremely smooth high fidelity performance from a compact 2-way loudspeaker. Premium performance capability and even coverage ensures excellent sound quality throughout the listening area.

A top-quality, low saturation transformer, enables the loudspeaker to be used on either 70 volt or 100 volt distributed speaker lines, with similar fidelity performance to the 8 ohm bypass position.

The patented InvisiBall[®] mounting method is simple to install, aims easily, and provides a high degree of theft deterrence. The cabinet accepts a variety of paints to match any décor. Weather resistance is maximized by utilizing an aluminum grille featuring polyester powder coating and liquid-tight MTC-PC2 terminal covers.

Coating the woofer cone in polypropylene and terminating its circumference in JBL's WeatherEdge™, a seamless, butyl rubber extension of the woofer surround, protects critical transducer elements. The polycarbonate tweeter diaphragm is reinforced with a thin film of titanium for added rigidity and endurance. Nickel/zinc rust-resistant terminals ensure a secure input connection.



Specifications:

System:	Freq. Range (-10 dB):	90 Hz - 20 kHz
	Power Capacity ² :	200 Watts Continuous Program Power 100 Watts Continuous Pink Noise
	Nominal Sensitivity:	87 dB
	Nominal Coverage Angle ² :	110° x 85° (1kHz to 16kHz)
	Directivity Factor (Q):	4.8 (500 Hz to 4kHz)
	Directivity Index (DI):	6.5dB (500 Hz to 4kHz)
	Rated Maximum SPL:	107 dB @ 1 m (3.3 ft) average, 113 dB peak
Transducers:	Rated Impedance:	8 ohms (in bypass mode)
	Transformer Taps:	60W 30W, 15W, (& 7.5W @ 70V)
Enclosure:	LF Driver:	130mm (5.25 in) with polypropylene coated paper cone with WeatherEdge surround, 25 mm (1 in) voicecoil on kapton former
	HF Driver:	20mm (.75 in) titanium coated PEI
Enclosure:	Input Connectors:	Captive screw-down terminals, zinc-plated copper base, nickel plated metal screws/washers, accepts up to 9 mm outside 4 mm inside open lug, plus bare wire up to 12 AWG (2.5 mm)
	Cabinet Material:	High Impact Polystyrene, (materials rated UL-94HB)
	Grille:	Aluminum with polyester powder coating
	Safety Agency:	UL1480-UUMW Listed, NFPA90, NFPA70A, and in accordance with the requirements of IEC60849/EN60849
	Dimensions (H x W x D):	236 x 186 x 159 mm (9.3 x 7.4 x 6.3 in)
	Net Weight:	3.8 kg (8.4 lbs) ea
	Shipping Weight:	8.6 kg (19 lbs) pair
Optional Accessories:	Included Accessories:	1 pc MTC-PC2 input panel cover, Invisiball mounting base, 6 mm x 100 mm Invisiball hex wrench
	Optional Accessories:	MTC-25V for vertical columnar mounting of up to 3 speakers MTC-25/23H for horizontal splaying of 2 speakers. Three brackets array either 3 or 6 speakers in a hanging array module for 360° horizontal coverage. MTC-28/25CM to install speaker down from the ceiling. See JBL Control Contractor Bracket and Adapter Handbook.

¹ Half-space

² Continuous Pink Noise rating is IEC-shaped pink noise with a 6 dB crest factor for 100 hours continuously. Continuous Program power is a conservative expression of the system's ability to handle normal speech and music program material, and is defined as 3 dB above the Continuous Pink Noise Rating.

JBL continually engages in research related to product improvement.

Changes introduced into existing products without notice are an expression of that philosophy.

► Control 25AV-LS, Two-Way Professional Compact Loudspeaker for Life / Safety Applications

Safety and Regulatory Information:

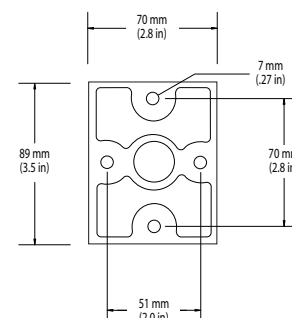
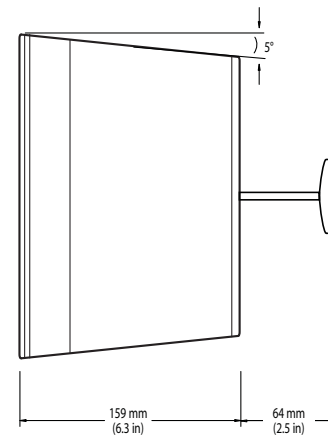
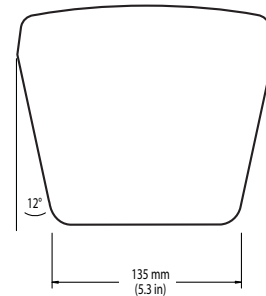
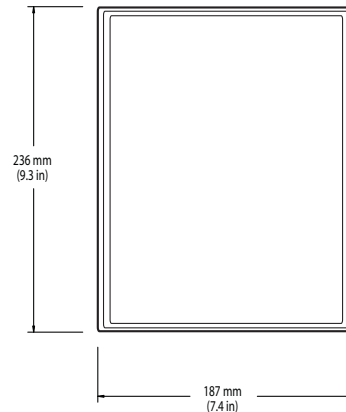
The Control 25AV-LS has passed extensive testing and is in compliance with the following specifications and uses:

- **Listed UL-1480, category UUMW** when installed with a junction box (on-wall or in-wall). **For use with non-DC supervised systems.**
- General Purpose Use Listed UL-1480, Category UEAY
- Control 25AV-LS is suitable for use outdoors in wet locations
- Control 25AV-LS is suitable for use indoors in damp locations
- Suitable for installation using Class 1, Class 2 or Class 3 wiring methods in accordance with NFPA 70, National Electric Code, 2002, Article 640, and with NFPA 72 for use with non-DC supervised control panels / amplifiers.
- Suitable with fire alarm circuit wiring methods in accordance with NFPA 70, National Electric Code, 2002, Article 760, and with NFPA 72 for use with non-DC supervised control panels / amplifiers.
- EMC Directive 89/336/EEC and Article 10 (1) of the directive EN50081-1 and EN50082-1
- Tested to IEC 60268-5

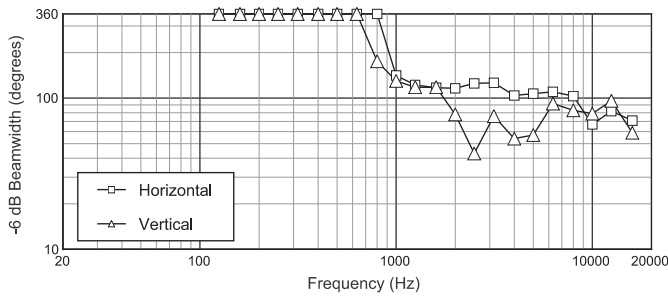
Measured audibility for the Control 25AV-LS at 10 feet (3.1 meters) is:

Tap	Sound Pressure Level dB(A)
70V, 7.5W	80 dB
70V, 15W	83 dB
70V, 30W	86 dB
70V, 60W	88 dB
100V, 15W	83 dB
100V, 30W	86 dB
100V, 60W	88 dB
8 ohm	90 dB

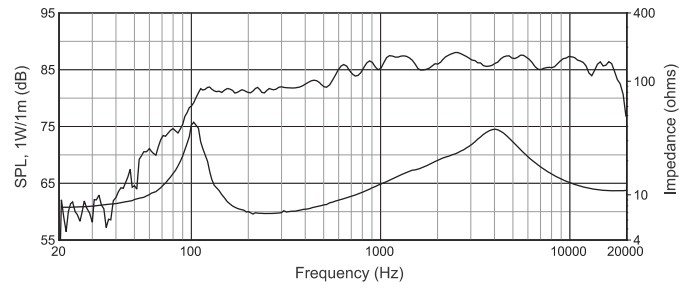
Dimensions:



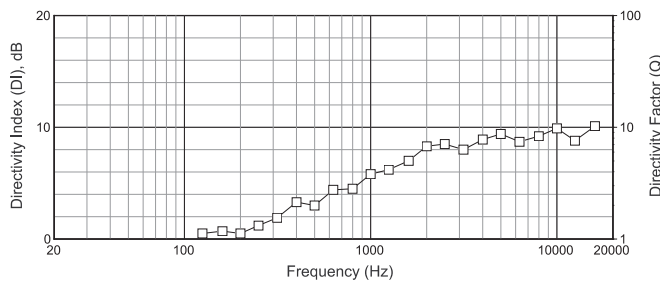
Beamwidth:



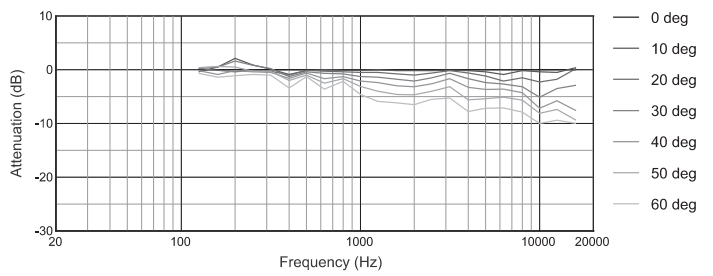
Frequency Response:



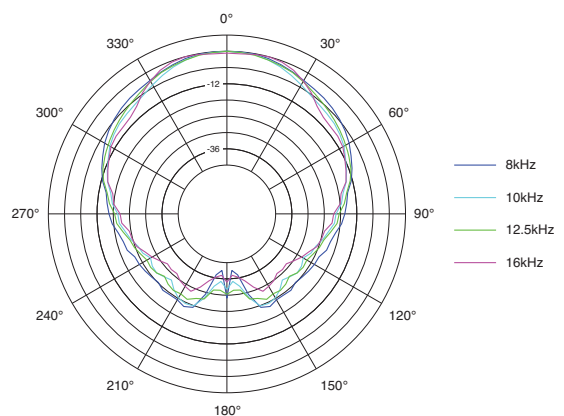
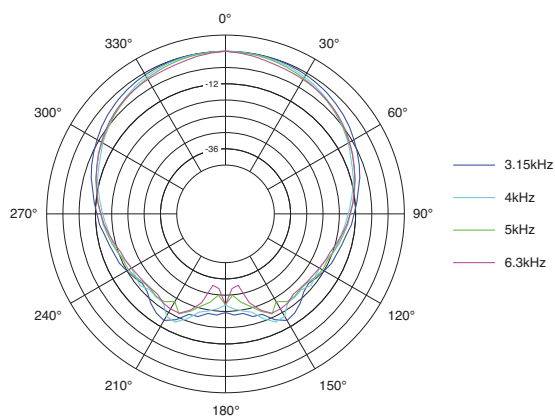
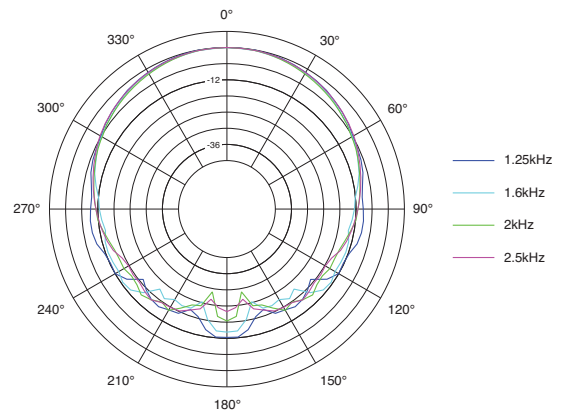
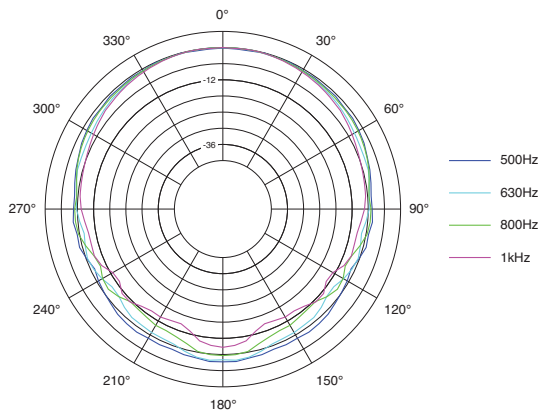
Directivity Index:



Horizontal Off-Axis Frequency Response:

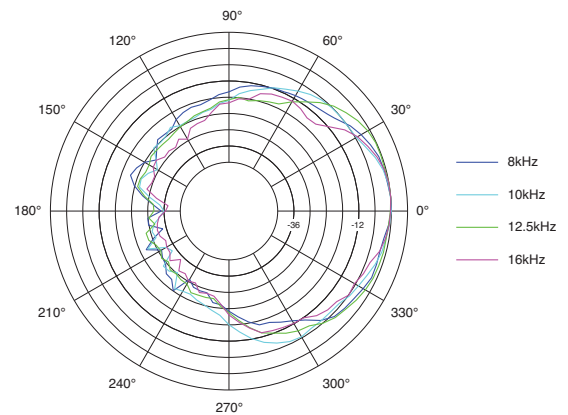
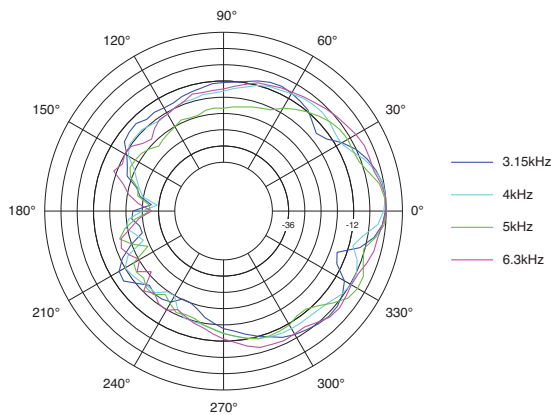
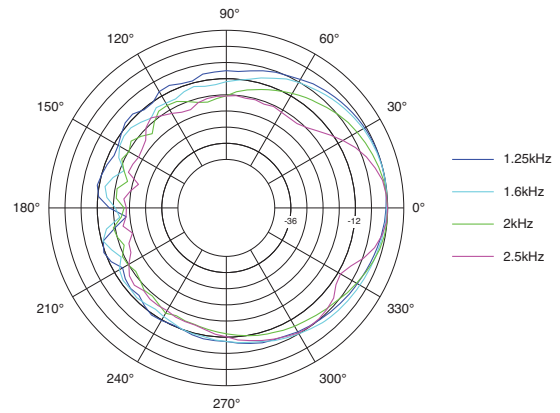
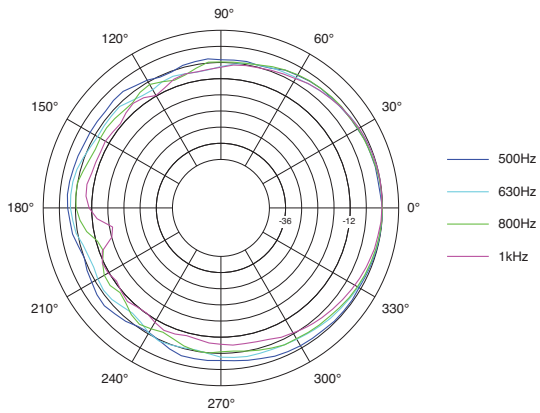


Horizontal 1/3 Octave Polars:



► Control 25AV-LS, Two-Way Professional Compact Loudspeaker for Life / Safety Applications

Vertical 1/3 Octave Polars:



PROFESSIONAL
by HARMAN

JBL Professional
8500 Balboa Boulevard, P.O. Box 2200
Northridge, California 91329 U.S.A.