



# MTC-CBT-FM1/FM2

## Flush-Mount Wall Brackets for CBT Speakers

### Professional Series

### Key Features:

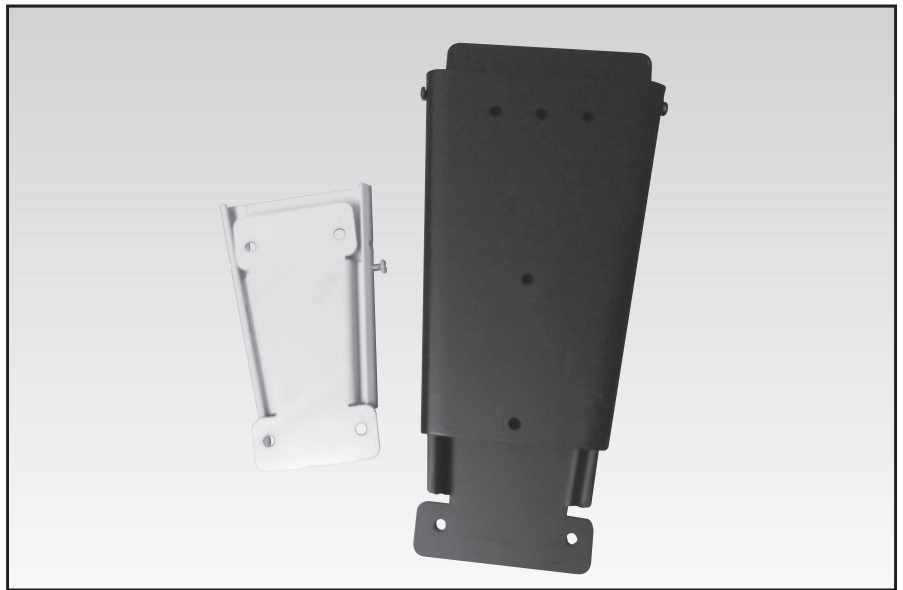
- ▶ Provides Low-Profile, Close-to-Wall Mounting Brackets for JBL CBT Line Array Column Speakers
- ▶ Drop-In Ease of Assembly with Set Screw(s) for Secure Installation
- ▶ ROHS-Compliant Zinc Plating for Weather Resistance
- ▶ For Mounting Speaker in Typical Vertical Orientation (not for Horizontal Orientation)
- ▶ Available in Black or White (-WH)

### MTC-CBT-FM1

- ▶ For Use with CBT 50LA-1 and CBT 100LA-1.
- ▶ Loudspeaker-Mount Section of bracket attaches to the included insert points on the back panel of the speaker (using the M6x15 mm bolts, flat washers & lock washers that come with the speaker). Mounting points are at 107.6 mm x 50.8 mm (4-1/4 x 2 inch) spacing.
- ▶ Wall-Mount Section has 3 aligned holes vertically; 3 aligned holes horizontally.
- ▶ Loudspeaker-Mount Section drops easily into Wall-Mount Section. Set screw holds securely.
- ▶ 2.25 mm thick (13-Gauge AWG) Metal
- ▶ Bracket assembly spaces back of speaker within 16 mm (0.62 inches) of wall (typical).

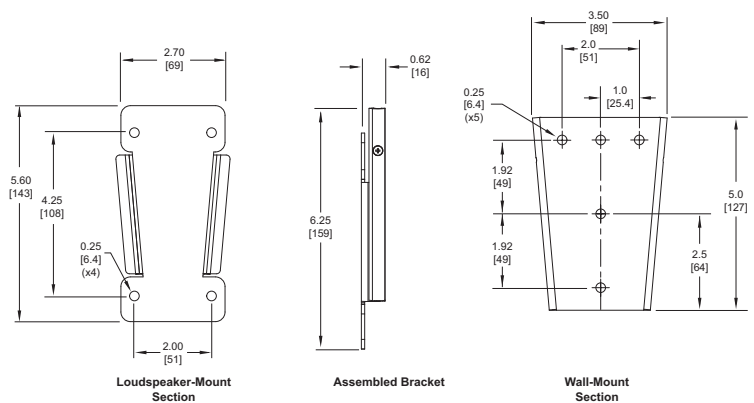
### MTC-CBT-FM2

- ▶ For Use with CBT 70J-1 and CBT 70J-1/70JE-1 array.
- ▶ Loudspeaker-Mount Section of bracket attaches to the included insert points on the back panel of the speaker (using the M6x15 mm bolts, flat washers & lock washers that come with the speaker). Mounting points are at 254 mm x 70 mm (10 x 2-3/4 inch) spacing.
- ▶ Wall-Mount Section has 3 aligned holes vertically; 3 aligned holes horizontally.
- ▶ Loudspeaker-Mount Section drops easily into Wall-Mount Section. Set screw holds securely.
- ▶ 3.5 mm thick (10-Gauge AWG) Metal
- ▶ Bracket assembly spaces back of speaker within 20 mm (0.77 inches) of wall (typical).

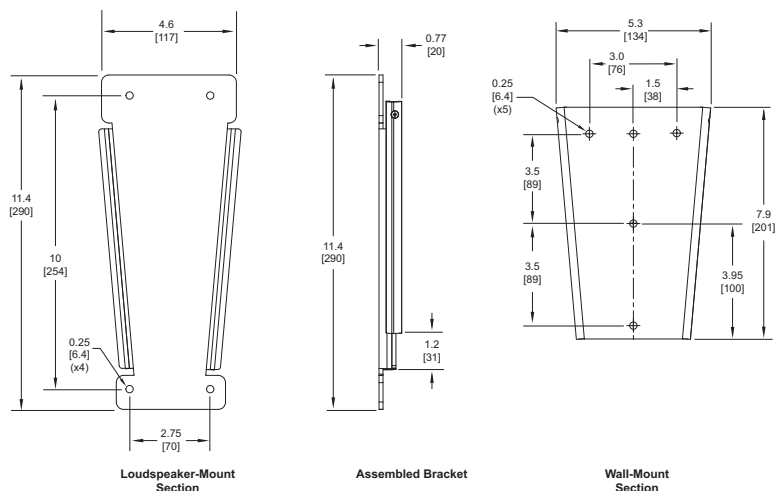


### Dimensional Diagrams

#### MTC-CBT-FM1 BRACKET DIMENSIONS



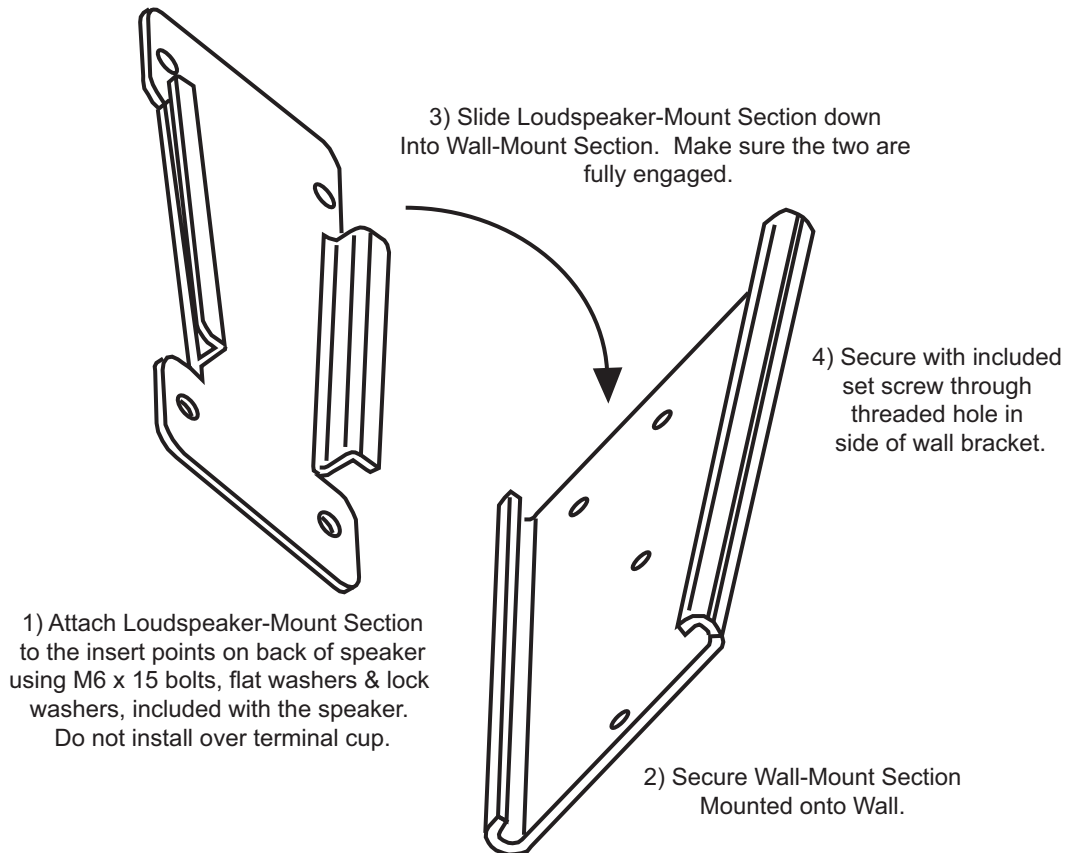
#### MTC-CBT-FM2 BRACKET DIMENSIONS



Dimensions in mm [inches]

## ► MTC-CBT-FM1/FM2 Flush-Mount Wall Brackets for CBT Speakers

### Assembly



**IMPORTANT:** Brackets **MUST** be installed by qualified personnel in accordance with safe installation practices.



by HARMAN®

JBL Professional  
8500 Balboa Boulevard, P.O. Box 2200  
Northridge, California 91329 U.S.A.

© Copyright 2011 JBL Professional

[www.jblpro.com](http://www.jblpro.com)

SS CBT-FM  
CRP  
07/11