

# AWC15LF All-Weather Compact Low-Frequency Speaker with 15" LF

## Professional Series

### Key Features:

- ▶ Low frequency reinforcement for outdoor applications
- ▶ Highly weather-resistant IP56 rating
- ▶ Component:
  - 380 mm (15 in) woofer with Kevlar-reinforced cone and 75 mm (3 in) voice coil.
- ▶ 500 Watt power handling (average continuous pink noise)
- ▶ Frequency range down to 45 Hz
- ▶ 300 Watt 70V/100V multi-tap transformer or direct 8Ω low-impedance.

### Applications:

The AWC15LF is a compact highly weather resistant loudspeaker for augmenting the low frequency capability of a sound system. AWC15LF is ideal for many applications, including sports facilities, racetracks, stadiums, fairgrounds, rodeos, skating rinks, themed entertainment venues, cruise ships, water parks, outdoor background music systems, swimming pools, and a wide variety of other outdoor and indoor venue types.

The AWC15LF utilizes a high-power, long-excursion 380 mm (15 in) low frequency driver with Kevlar-reinforced cone for reliability, well-damped surround for smoother frequency response, high temperature 75 mm (3 in) voice coil and a reduced distortion design through saturated-gap magnet geometry.

The paintable enclosure is constructed of thick ABS plus fiberglass and is heavily braced to maximize low-frequency performance. The corrosion-resistant zinc-rich extra-thick powder-coated steel grille is backed with open cell foam and tight-weave mesh, providing a high level of protection against water incursion in harsh environments. The system is rated IP-56, per IEC529 when installed at minimum 5° down-tilt.

The AWC15LF is equipped with a 300W 70V/100V multi-tap transformer. Connection is made via outdoor-rated terminals in a recessed terminal cup. A protective terminal compartment cover is included, along with gland nut, which forms a water-tight seal with round-jacketed cable within the specified range of diameters.

A heavy-duty zinc-rich, thick powder-coated U-type mounting bracket is included.



### Preliminary Specifications:

|  |   |
|--|---|
| <b>System:</b>                                     |   |
| Frequency Range (-10 dB):                          | 45 Hz – 2.2 kHz   |
| Frequency Response (±3 dB):                        | 70 Hz – 1.2 kHz   |
| Long-Term System Power Rating (IEC) <sup>2</sup> : | 500 W (2000 W peak), 2 hrs.<br>300 W (1200 W peak), 100 hrs.  |
| Sensitivity (2.83V @ 1m):                          | 94 dB (Ave. 80 Hz – 300 Hz)   |
| Maximum SPL:                                       | Direct 8Ω: 121 dB (peaks of 127 dB)<br>300 W Tap: 119 dB (peaks of 125 dB)  |
| Nominal Impedance:                                 | 8 ohms (in Direct mode)   |
| Transformer Taps:                                  | 70V: 300W, 150W, 75W, 38W<br>100V: 300W, 150W, 75W  |
| <b>Transducers:</b>                                |   |
| Low Frequency Driver:                              | 380 mm (15 in), Kevlar-reinforced cone, with weather treatment, 75 mm (3 in) voice coil, long throw.  |
| <b>Physical:</b>                                   |   |
| Enclosure:   | ABS with Glass enclosure, heavily braced  |
| Attachment:  | Two M10 (course-thread) points for included U-bracket. M6 secondary safety attachment point on back panel.  |
| Grille:  | Corrosion-resistant zinc-rich extra-thick powder coated steel grille, 3-layer assembly with foam and woven poly mesh backing.   |
| Input Connection:                                  | CE-compliant covered barrier strip terminals. Barrier terminals accept up to 8 mm outside 4 mm inside opening (#6 or #8) plus bare wire up to 2.5 mm <sup>2</sup> (12 AWG) wire or spade lugs. Terminal compartment cover equipped with gland nut that forms water-tight seal with round-jacketed cables with outside diameters between 4.0 mm (0.16") and 9.0 mm (0.36") |
| Environmental:                                     | IP56 per IEC529, with a minimum 5° downward aiming angle. Exceeds Mil Spec 810 for humidity, salt spray, temperature & UV, and ASTM G85 for salt spray (168 hrs).   |
| Dimensions:  | 486 x 486 x 479 mm (19.1 x 19.1 x 18.8), cabinet<br>507 mm (19.9 in) depth with gland nut<br>546 mm (21.5 in) including bracket extending to back   |
| Included Accessories:                              | U-bracket, matches loudspeaker color (gray or black), zinc-rich extra-thick powder coated, steel.   |

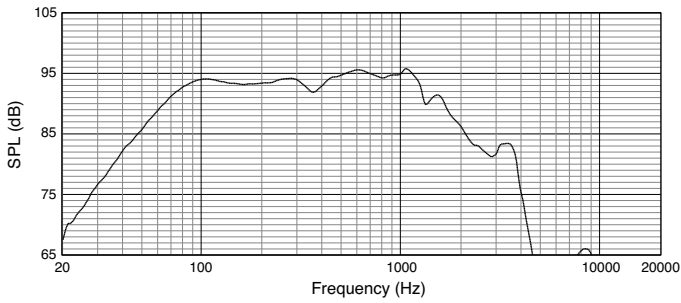
<sup>1</sup> Full-space (free-field)

<sup>2</sup> AES standard, one octave pink noise with 6 dB crest factor.

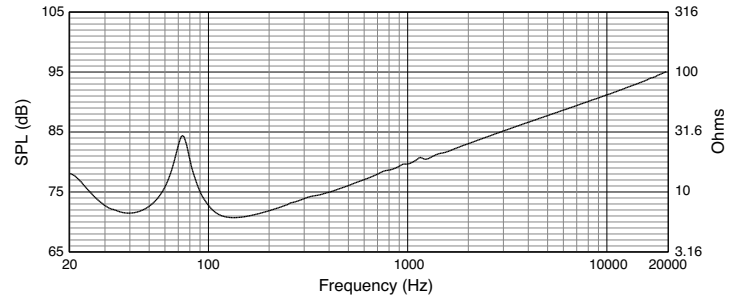
<sup>3</sup> Calculated based on power rating and measured full-space sensitivity.

# ▶ AWC15LF All-Weather Low-Frequency Loudspeaker with 15" LF

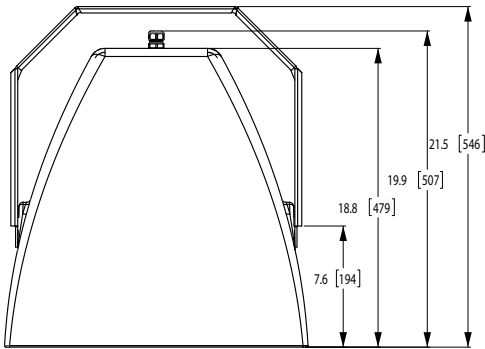
## Frequency Response



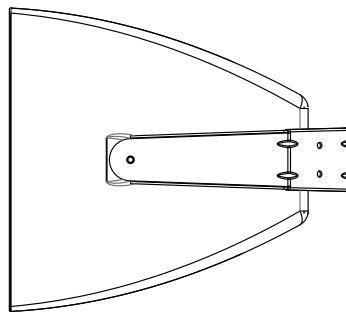
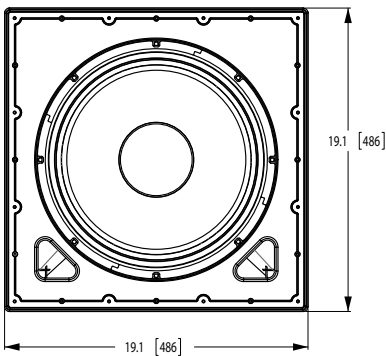
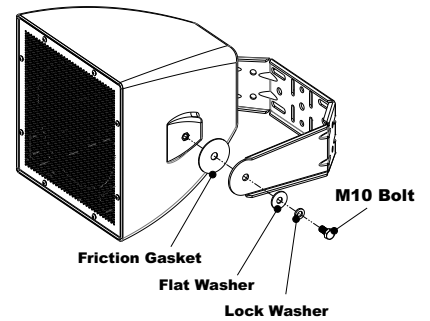
## Impedance



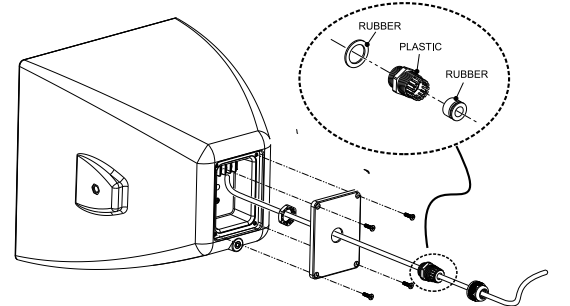
## Dimensions



## Attaching U-Bracket to Cabinet



## Terminal Compartment



Gland nut for round jacketed cable between 4.0mm (0.16") and 9.0mm (0.36") O.D.

Dimensions in IN" [mm]



JBL Professional  
8500 Balboa Boulevard, P.O. Box 2200  
Northridge, California 91329 U.S.A.

© Copyright 2014 JBL Professional  
www.jblpro.com

SS AWC15LF  
CRP  
06/14