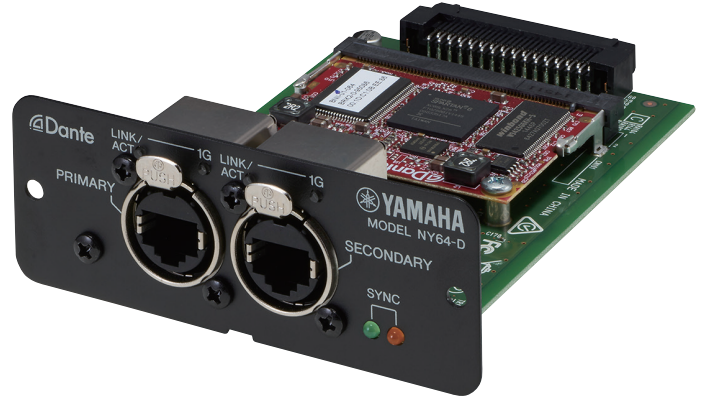


Overview

NY64-D is Dante Interface Card for TF series digital mixers. It can give your system additional 64 Dante inputs and outputs.



Features

- Supports 64 inputs and 64 outputs of 32-bit, 48 kHz uncompressed digital audio signals
- In addition to simple daisy chaining, supports redundant connections through its primary and secondary data paths
- Dimensions: 100mm x 38.5mm x 132.5 mm (3.9" x 1.5" x 5.2")

Specifications

Sampling Frequency

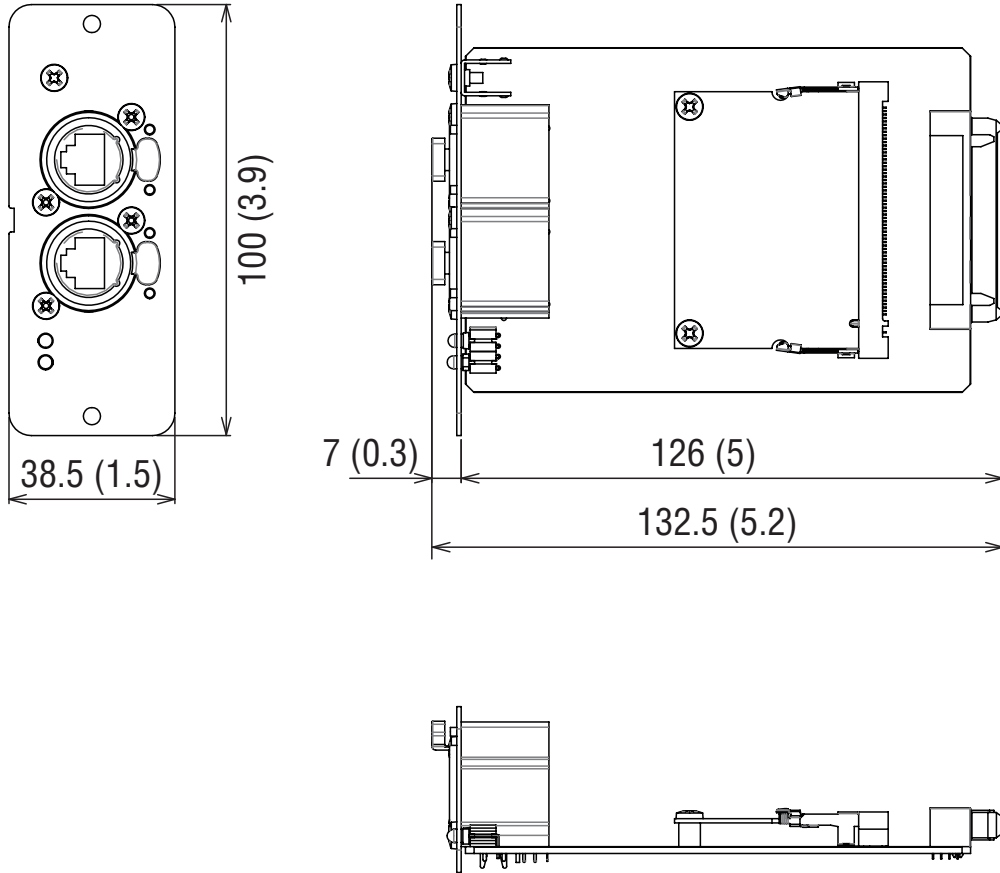
		Conditions	Min.	Typ.	Max.	Unit
External Clock	Frequency	44.1kHz / 48kHz	-200		+200	ppm
	Accuracy	+4.1667%/+0.1%/-0.1%/-4.0% to all of the above	-200		+200	ppm

Digital Input/Output Specifications

Terminal	Format	Data length	Level	Audio	Connector
Primary/Secondary	Dante	24 or 32 bit	1000BASE-T	64ch (NY64-D to other devices) 64ch (Other devices to NY64-D)	etherCON Cat5e

Dimensions

Unit: mm (inch)



Architectural and Engineering Specifications

The Yamaha NY64-D shall be an optional Dante Interface card for TF series digital mixers. It shall have built-in Dante digital audio networking capability and allow flexible, easy system setup. It shall support 64 inputs and 64 outputs of 32-bit, 48 kHz uncompressed digital audio signals. Dimensions shall be 100 (W) x 38.5 (H) x 132.5 (D) mm. Weight shall be 0.2kg.

*All information subject to change without notice.

*All trademarks and registered trademarks are property of their respective owners.

Created in March, 2017

YAMAHA CORPORATION
P.O.BOX 1, Hamamatsu Japan
www.yamahaproaudio.com