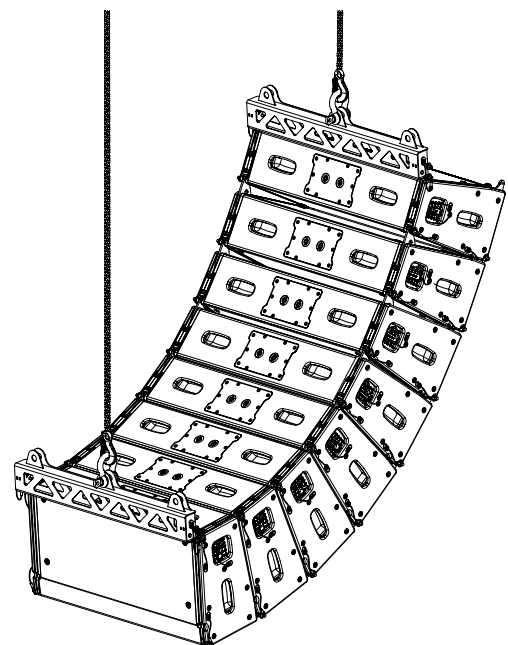
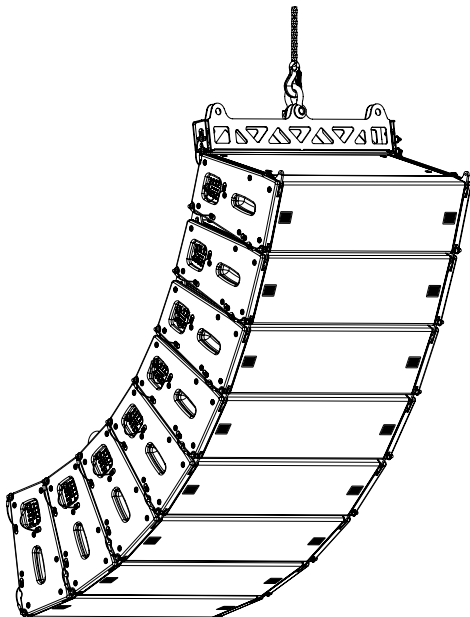


HIGHLIGHTS

- Versatile suspension bar accessory
- Compatible with VTX A8 and VTX B18
- Used for suspension or pull-back applications
- Maximum Limit: (24) VTX A8 / (16) VTX B18
- Lightweight design
- Shackle Size: 5/8 in

DESCRIPTION

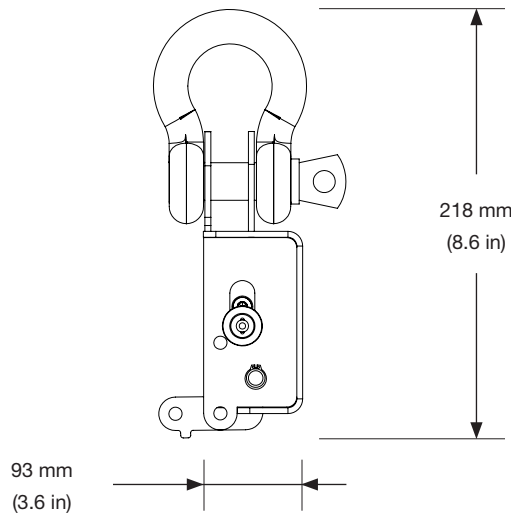
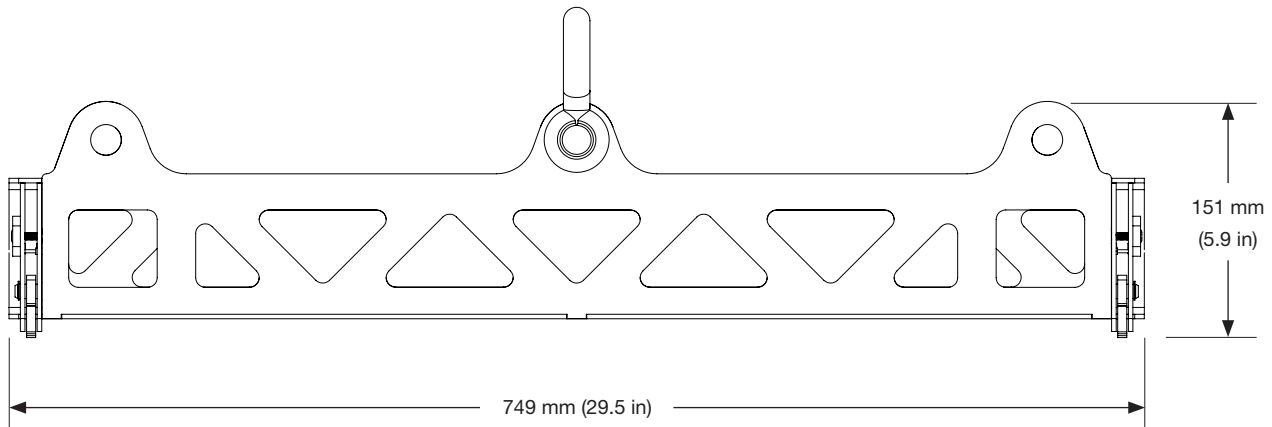
The VTX A8 SB accessory is a lightweight suspension bar that can be used as an array frame or to implement pull-back of a VTX A8 or B18 array. When used for pull-back, the VTX A8 SB can be attached to the bottom cabinet of an array and connected to a rear suspension point to allow for extra down-tilt, otherwise not possible using the VTX A8 AF alone. The VTX A8 SB can also attach to the top cabinet of an array and be used as a compact array frame. In this mode, the suspension bar connects to the top cabinet's rear rigging points and the down-tilt angle is controlled by the number of cabinets and array geometry. JBL's Line Array Calculator software application is used to calculate the down-tilt angle. For dual-point applications and added aiming flexibility, two VTX A8 SB suspension bars can be used: one at the top and one at the bottom of the array. The VTX A8 SB can support the weight of up to (24) VTX A8 or (16) VTX B18 enclosures (depending on array geometry) and a 5/8-inch shackle (included) can be attached directly to the bar. For more information about the suspension bar and use cases, refer to the VTX A8 Rigging Manual.



INCLUDED

- (1) VTX A8 SB Suspension Bar
- (1) 5/8-inch Shackle (Part Number: 5044448)

DIMENSIONS



TECHNICAL SPECIFICATIONS

Construction: High-grade steel with anti-corrosion coating

Finish: Black powder coat

Compatible Shackle Size: 5/8 inch

Mechanical Limits¹

Maximum: (24) VTX A8 | (16) VTX B18

Safe Limit: (12) VTX A8 | (14) VTX B18

Dimensions (H x W x D)²: 151 mm x 749 mm x 93 mm
(5.9 in x 29.5 in x 6.6 in)

Net Weight³: 4.8 kg (10.58 lbs)

Footnotes:

1: Refer to the 2D and 3D Customer Drawings for more detailed dimensions

2: Shackles and other rigging parts not included

JBL continually engages in research related to product improvement. Some materials, production methods and design refinements are introduced into existing products without notice as a routine expression of that philosophy. For this reason, any current JBL product may differ in some respect from its published description, but will always equal or exceed the original design specifications unless otherwise stated.