

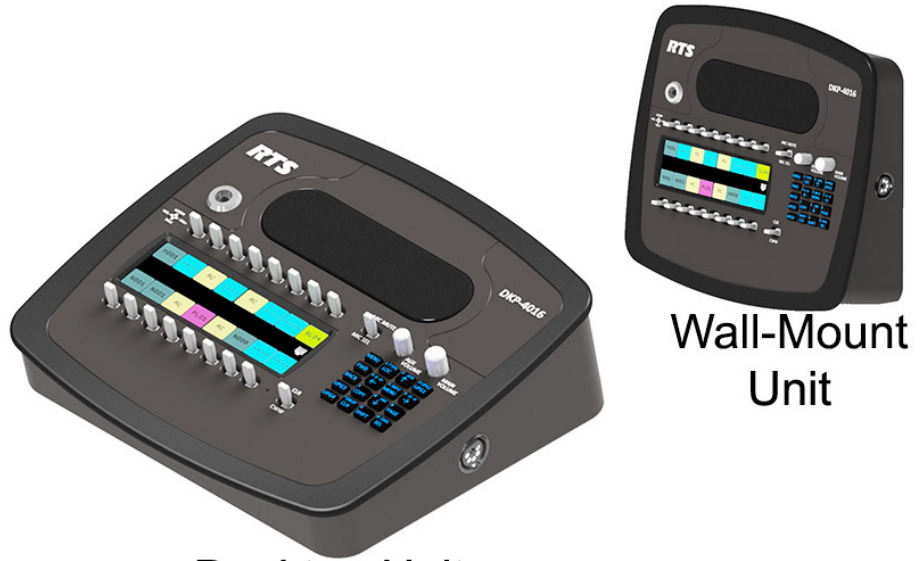
## DKP-4016/DKP-4016W

### OMNEO-Capable Color Display Desktop / Wall Mount Keypanel

The DKP-4016 keypanel delivers superior high-quality digital audio using the Bosch-branded OMNEO technology with Dante™ by Audinate audio over IP via either copper or fiber. The DKP-4016 delivers top-notch audio, free of noise, delay, and other artifacts present in older technology. This family of keypanels includes a rich set of connectors as standard, including GPIO and RC. As with other RTS products, emphasis has been placed on backward compatibility with previous generations of matrices including analog technology.

Also available is the DKP-4016W wall mount keypanel version.

The DKP-4016 keypanel utilizes the latest generation of wide angle TFT displays providing superior clarity and resolution, delivering high-quality readability under a variety of lighting conditions.



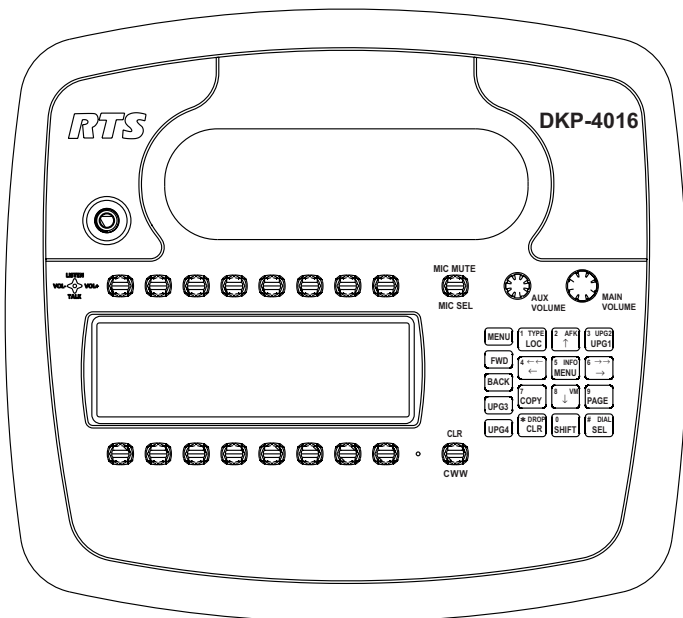
Desktop Unit

Wall-Mount Unit

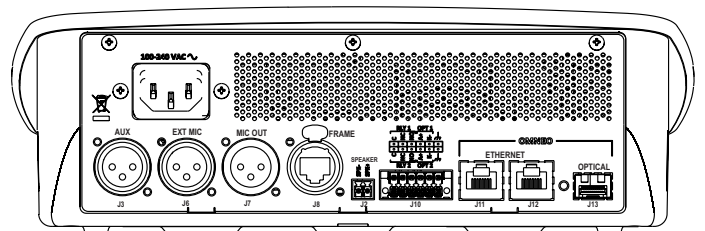
## Features

- Backward compatible with older technologies such as analog audio in USOC and 568-B connector formats.
- All previous options hardware connectors (RC, GPI, and Ancillary items) are now standard.
- New wide-angle high-definition display.
- Enhanced navigation menus optimized for ease of use.

## Line Drawing



Front Panel View



Rear Panel View

# Specifications

## LCD Display:

Active Area: ...120.10 mm (wide) x 35.86 mm (high)  
 Dot Resolution: ..... 576 x 172 pixels  
 Color Resolution ..... 16-bit (64K)RGB color  
 View Angle:..... 80 degrees (typical; all directions)

## Power Supply:

Type:..... Internal  
 AC Input:..... 100–240 VAC 50/60 Hz

## General Purpose Inputs and Outputs:

### Outputs

Type (relays)..... SPDT  
 Contact Rating..... 1AMP @ 30VDC

### Inputs

Type..... Optically Coupled  
 Input Voltage..... 5-18 VDC on A+  
 ♦Anode is internally pulled to 5 VDC. Connect K- to  $\uparrow$  to activate.♦

### Inputs:

#### Matrix

Type..... Balanced  
 Typical Input Level..... +8 dBu  
 Typical Input Impedance..... 20 k $\Omega$   
 Maximum Input Level ..... +20 dBu  
 Supported Bandwidth ..... 100 Hz to 20 kHz

#### Aux

Type..... Balanced  
 Typical Input Level..... +8 dBu  
 Typical Input Impedance..... 20 k $\Omega$   
 Maximum Input Level ..... +20 dBu  
 Supported Bandwidth ..... 100 Hz to 20 kHz

#### Front Panel Mic

Type..... Electret  
 Typical Input Level..... -42 dBu  
 Typical Input Impedance..... 1 k $\Omega$   
 Maximum Input Level ..... -25 dBu

#### Rear Panel Mic

Type..... Electret  
 Typical Input Level..... -42 dBu

Typical Input Impedance..... 1 k $\Omega$   
 Maximum Input Level ..... -25 dBu

#### Left and Right Headset Mic - Electret

Typical Input Level..... -42 dBu  
 Typical Input Impedance..... 1 k $\Omega$   
 Maximum Input Level ..... -25 dBu

#### Front and Rear Headset Mic - Dynamic

Typical Input Level..... -50 dBu  
 Typical Input Impedance..... 600  $\Omega$   
 Maximum Input Level ..... -25 dBu

### Outputs:

#### Matrix

Type..... Balanced  
 Typical Output Level ..... +8 dBu  
 THD+N% ..... <0.20%  
 Typical Output Impedance..... 600  $\Omega$   
 Maximum Output Level..... +20 dBu  
 Frequency Response ..... 100 Hz to 20 kHz

#### MIC/LINE Out

Type..... Balanced  
 Typical Output Level ..... +8 dBu  
 THD+N% ..... <0.20%  
 Typical Output Impedance..... 600  $\Omega$   
 Maximum Output Level..... +20 dBu  
 Frequency Response ..... 100 Hz to 20 kHz

#### Headset - Left and Right

Maximum Output Power..... 125 mW for 32  $\Omega$  load  
 Earphone Impedance ..... 16  $\Omega$  and above  
 THD+N% ..... <0.20%  
 Frequency Response ..... 20 Hz to 20 kHz

#### Speaker - Rear

Maximum Output Power ..... 5 W for 8 W load  
 Speaker Impedance ..... 4  $\Omega$  and 8  $\Omega$   
 THD+N% ..... <0.20%  
 Frequency Response ..... 20 Hz to 20 kHz

## Digital:

### OMNEO Channels

Typical OMNEO Latency ..... 1 ms  
 Frequency Response ..... 20 Hz - 20 kHz

### RVON

Compression	Bit Rate	Coding Delay	Playout Delay	Bandwidth	Sample Rate
G.711	64 kbps	125 $\mu$ s	20-60 ms	160-224 kbps	8 k
G.729AB	8 kbps	10 $\mu$ s	20-120 ms	32-112 kbps	8 k
G.722	64 kbps	4 $\mu$ s	20-60 ms	160-224 kbps	16k

\* Data rate depends codec selection

**Note:** The Playout Delay and Bandwidth depend on the configured amount of audio per packet.

## Environmental:

### Dimensions

3.60 in. H x 10.63 in. W x 9.35 in. D  
 (91.5 mm H x 270.1 mm W x 237.6 mm D)

### Weight

Weight ..... 3.70lb (1.68kg)

### Temperature

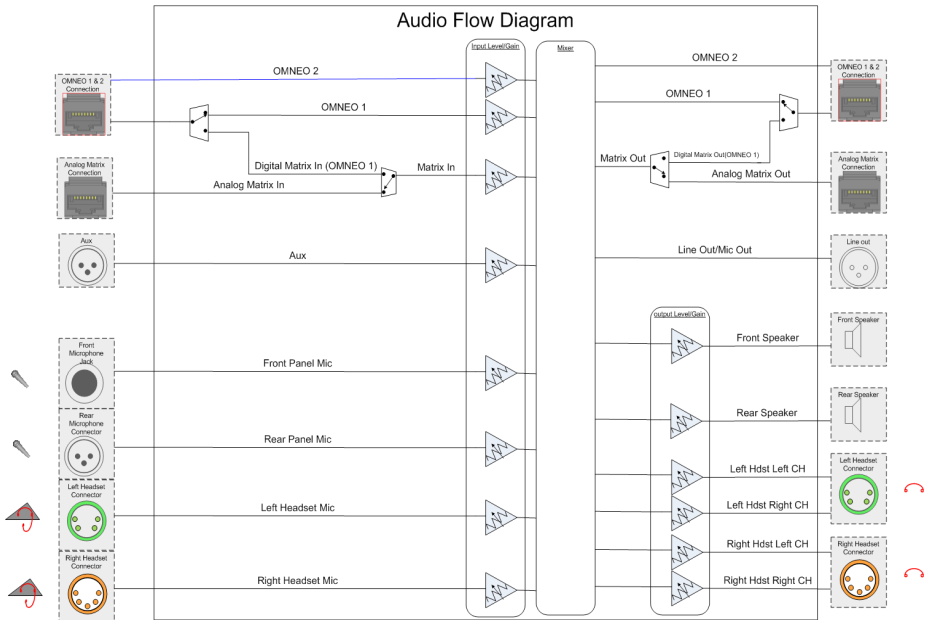
Operating..... 32°F to 122°F (0°C to 50°C)  
 Storage..... -4°F to 158°F (-20°C to 70°C)

## Power Consumption:

Nominal ..... 22 Watts  
 Maximum ..... 39 Watts  
 Maximum Volt Amp..... 63 VA

## Certification:

CE Compliant  
 UL Certified  
 PSE



# Order Information

**DKP4016** •DKP-4016 Desktop Keypanel  
**DKP4016W** •DKP-4016W Wall Mount Keypanel

The specification information is subject to change without notification. Brand names mentioned are the property of their respective companies.