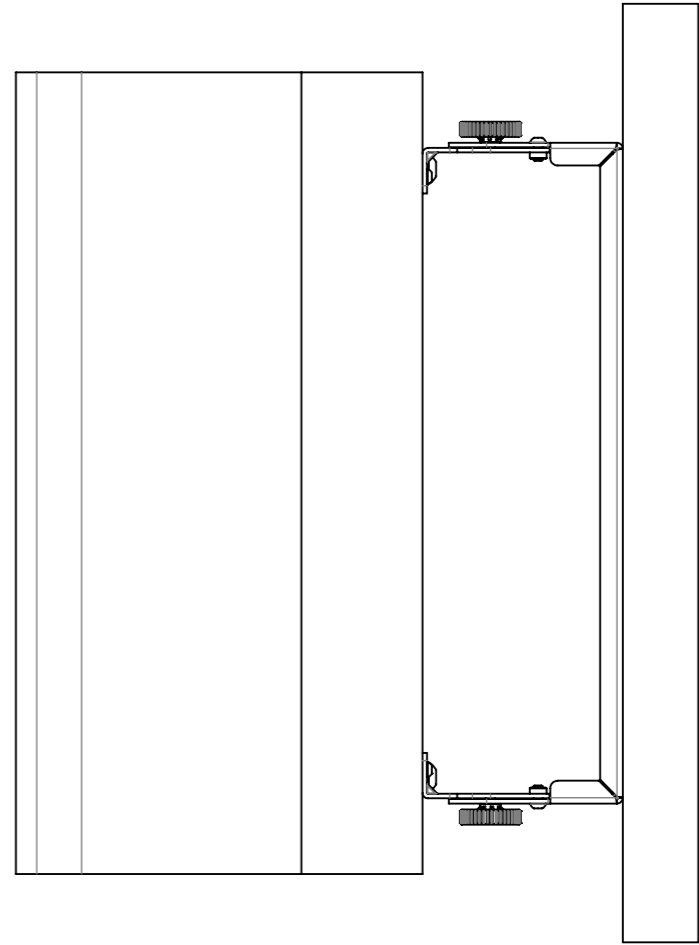
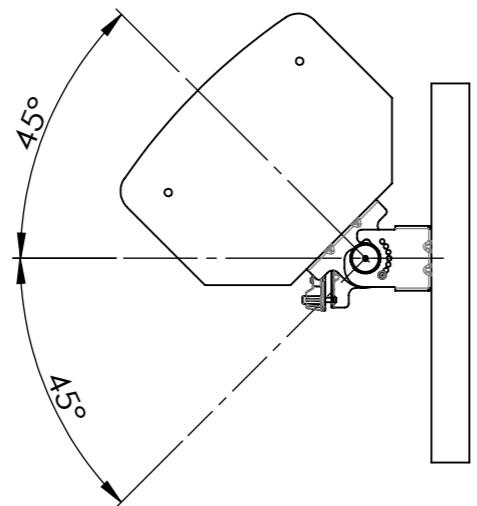


HORIZONTAL



VERTICAL



MAX. ROTATION

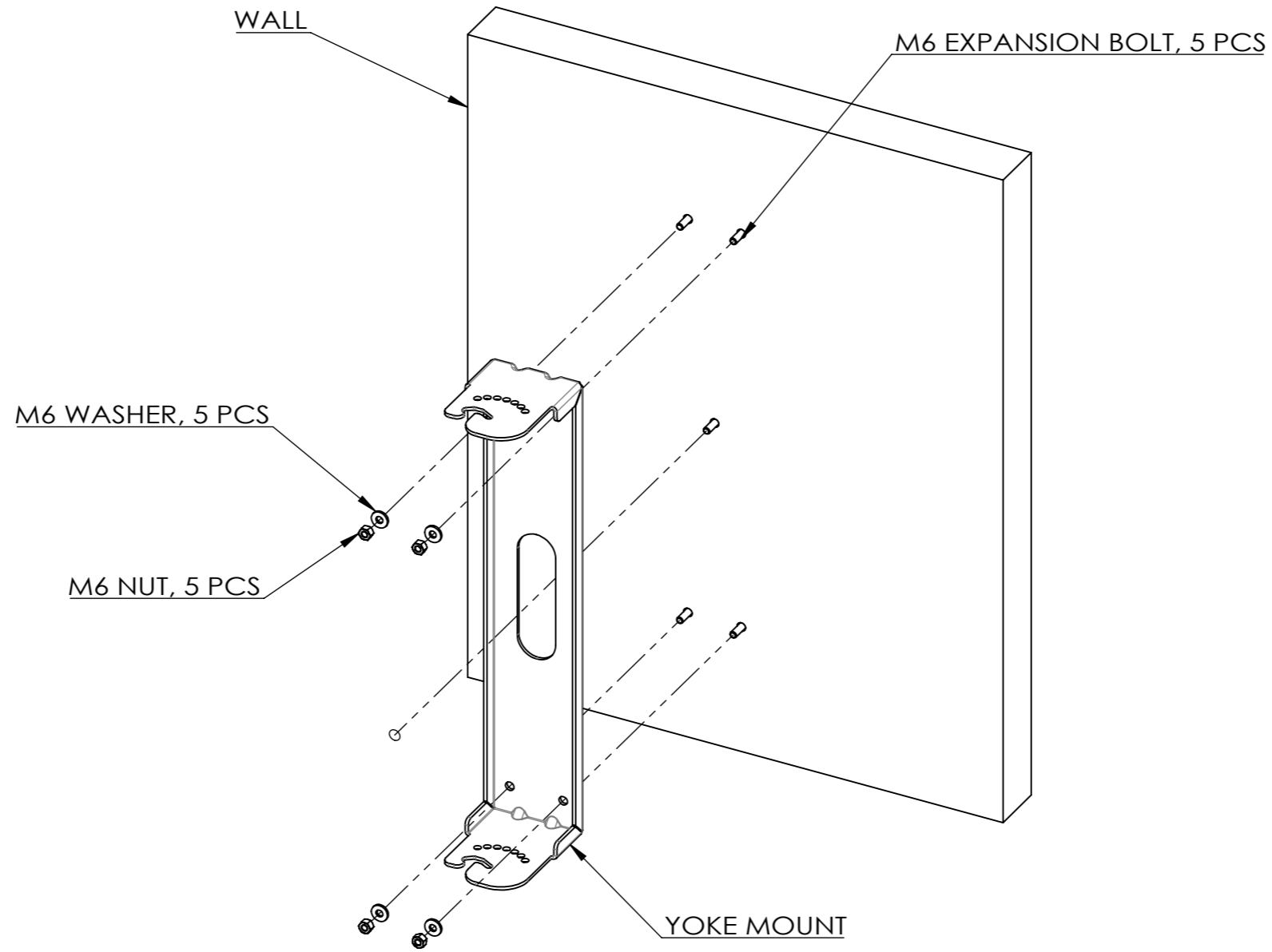
PROPRIETARY AND CONFIDENTIAL PROPERTY OF HARMAN. DO NOT DISCLOSE, REPRODUCE, OR PUBLISH WITHOUT WRITTEN HARMAN APPROVAL.

ROHS/REACH
 RESTRICTION OF HAZARDOUS SUBSTANCES/
 REGISTRATION, EVALUATION, AUTHORIZATION,
 AND RESTRICTION OF CHEMICALS
 ALL MATERIALS USED IN THIS PART MUST BE
 ROHS/REACH COMPLIANT.
 SUPPLIER SHALL PROVIDE A CERTIFICATE OF
 ROHS COMPLIANCE AND A REACH DECLARATION
 OF SUBSTANCES WITH THE FIRST ARTICLE.

DIMENSIONS SHOWN ARE FOR REFERENCE AND INSPECTION ONLY. REFER TO CAD MODEL PROVIDED WITH THIS DRAWING FOR OVERALL DEFINITION OF PART GEOMETRY.

FIRST ANGLE PROJECTION		
DRAWN BY ScSong	DATE 21/08/2020	
DESIGNED BY PXiong	DATE 09/04/2020	
PROJECT MANAGER/ENGINEER		

HARMAN			
TITLE Yoke Mount Assy			
NO. 200005568			REV A
SIZE A3	SCALE 1:5	DO NOT SCALE DRAWING	SHEET 1 OF 8



PROPRIETARY AND CONFIDENTIAL PROPERTY OF HARMAN. DO NOT DISCLOSE, REPRODUCE, OR PUBLISH WITHOUT WRITTEN HARMAN APPROVAL.

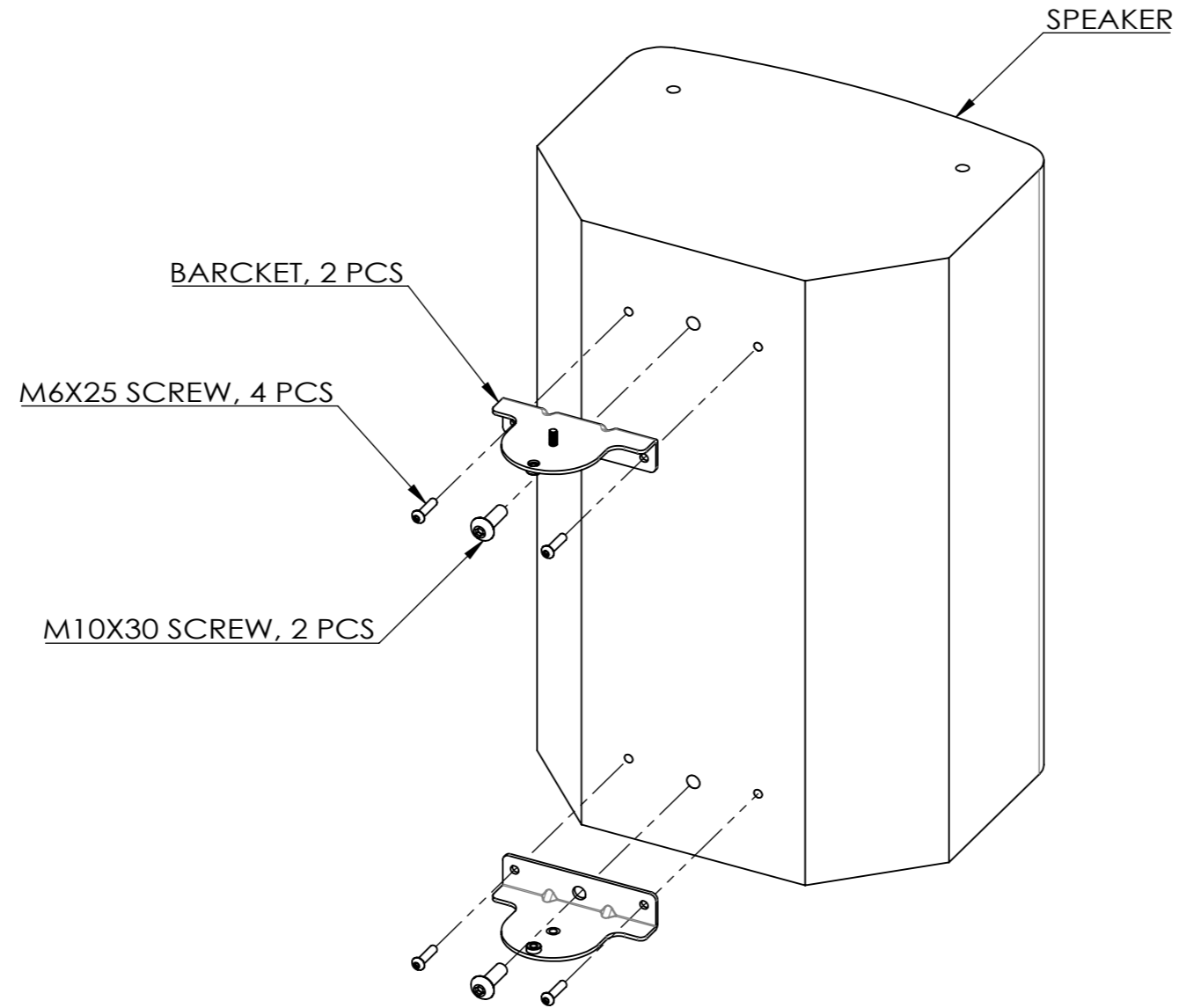
ROHS/REACH
 RESTRICTION OF HAZARDOUS SUBSTANCES/
 REGISTRATION, EVALUATION, AUTHORIZATION,
 AND RESTRICTION OF CHEMICALS
 ALL MATERIALS USED IN THIS PART MUST BE
 ROHS/REACH COMPLIANT.
 SUPPLIER SHALL PROVIDE A CERTIFICATE OF
 ROHS COMPLIANCE AND A REACH DECLARATION
 OF SUBSTANCES WITH THE FIRST ARTICLE.

DIMENSIONS SHOWN ARE FOR REFERENCE AND
 INSPECTION ONLY. REFER TO CAD MODEL
 PROVIDED WITH THIS DRAWING FOR OVERALL
 DEFINITION OF PART GEOMETRY.

FIRST ANGLE PROJECTION			
DRAWN BY ScSong	DATE 21/08/2020	PROJECT MANAGER/ENGINEER	
DESIGNED BY PXiong	DATE 09/04/2020		

HARMAN			
TITLE Yoke Mount Assy			
NO. 200005568			REV A
SIZE A3	SCALE 1:5	DO NOT SCALE DRAWING	SHEET 2 OF 8

STEP 3/5



PROPRIETARY AND CONFIDENTIAL PROPERTY OF HARMAN. DO NOT DISCLOSE, REPRODUCE, OR PUBLISH WITHOUT WRITTEN HARMAN APPROVAL.

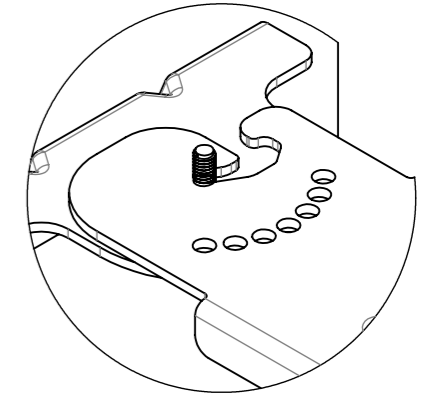
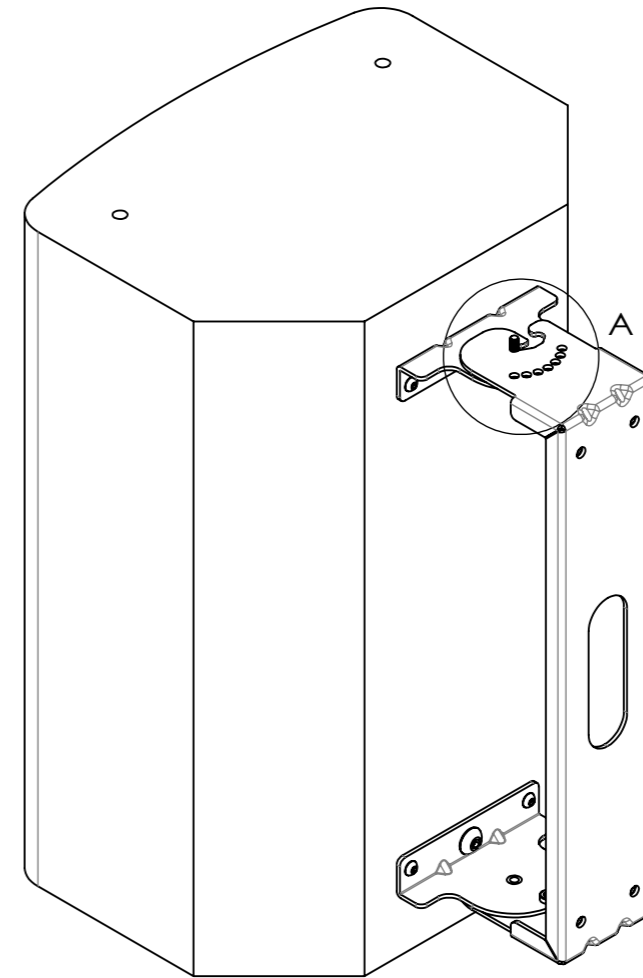
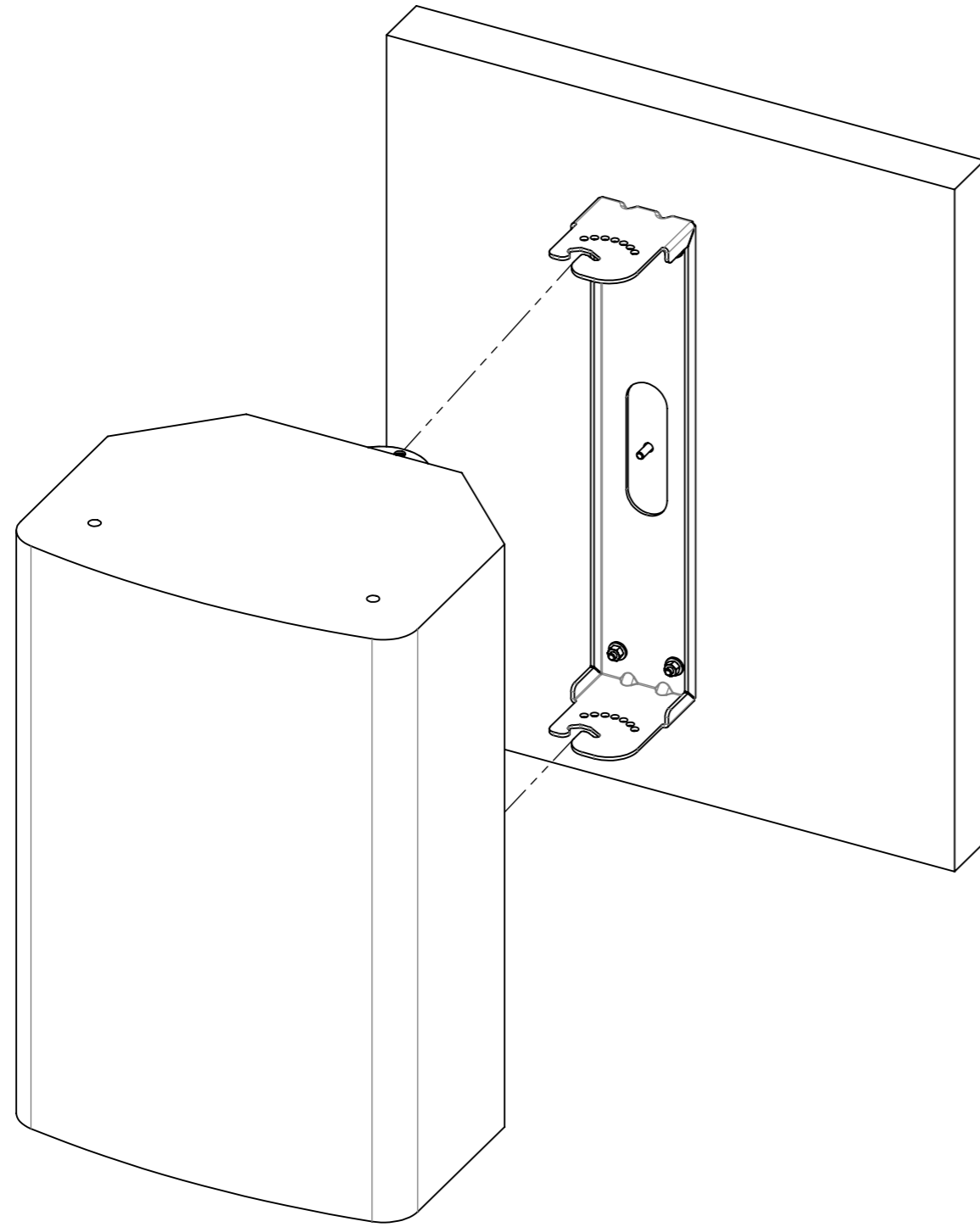
ROHS/REACH
 RESTRICTION OF HAZARDOUS SUBSTANCES/
 REGISTRATION, EVALUATION, AUTHORIZATION,
 AND RESTRICTION OF CHEMICALS
 ALL MATERIALS USED IN THIS PART MUST BE
 ROHS/REACH COMPLIANT.
 SUPPLIER SHALL PROVIDE A CERTIFICATE OF
 ROHS COMPLIANCE AND A REACH DECLARATION
 OF SUBSTANCES WITH THE FIRST ARTICLE.

DIMENSIONS SHOWN ARE FOR REFERENCE AND
 INSPECTION ONLY. REFER TO CAD MODEL
 PROVIDED WITH THIS DRAWING FOR OVERALL
 DEFINITION OF PART GEOMETRY.

FIRST ANGLE PROJECTION		
DRAWN BY ScSong	DATE 21/08/2020	
DESIGNED BY PXiong	DATE 09/04/2020	
PROJECT MANAGER/ENGINEER		

HARMAN			
TITLE Yoke Mount Assy			
NO. 200005568			REV A
SIZE A3	SCALE 1:5	DO NOT SCALE DRAWING	SHEET 3 OF 8

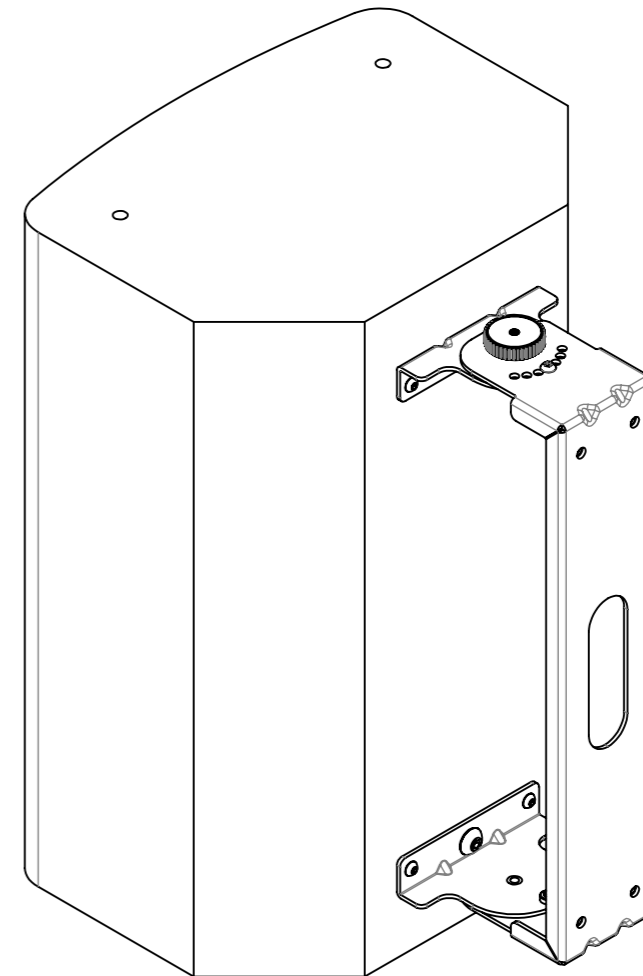
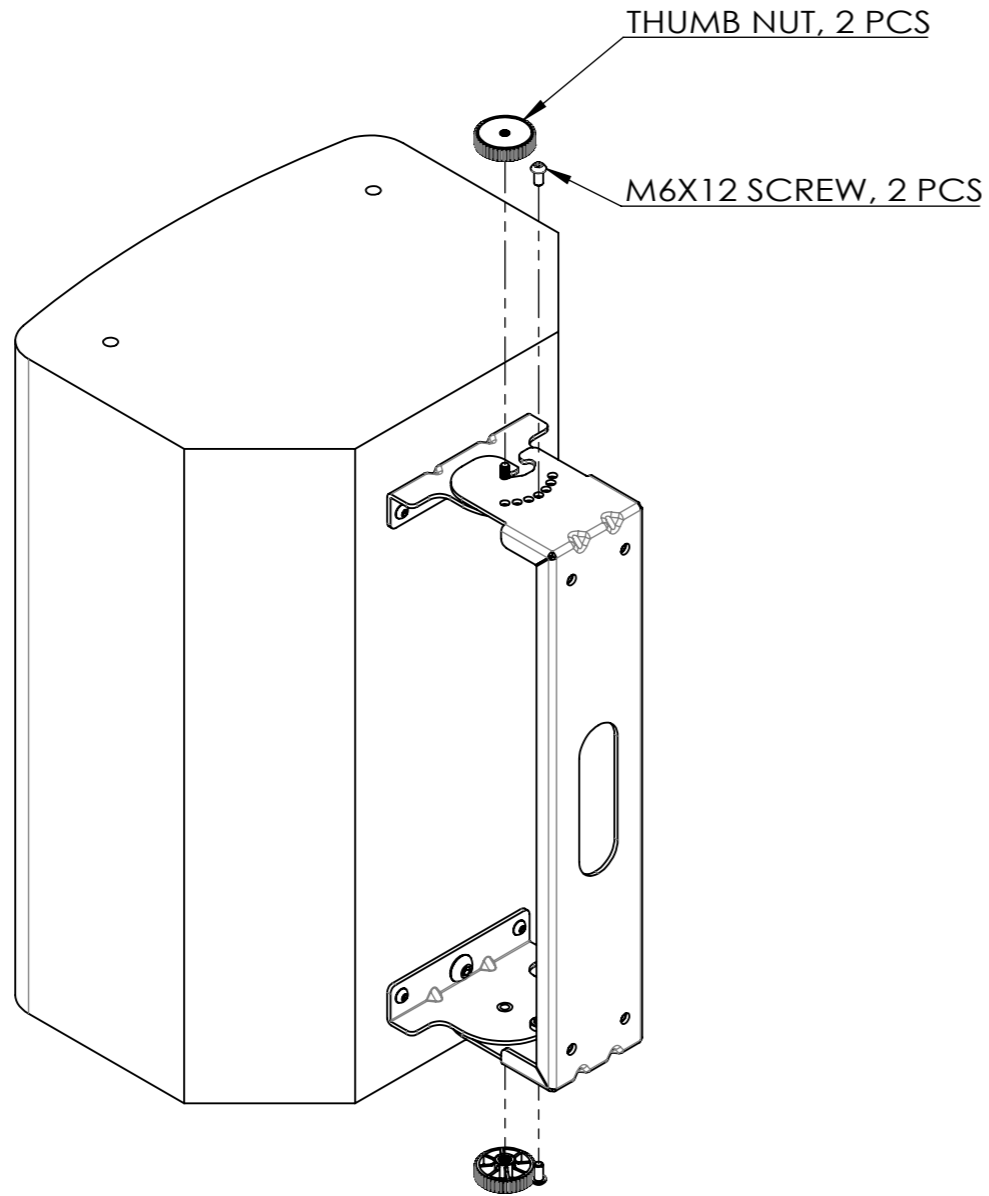
STEP 4/5



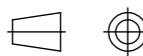
DETAIL A
SCALE 1 : 2

<small>PROPRIETARY AND CONFIDENTIAL PROPERTY OF HARMAN. DO NOT DISCLOSE, REPRODUCE, OR PUBLISH WITHOUT WRITTEN HARMAN APPROVAL.</small>		FIRST ANGLE PROJECTION		<h1>HARMAN</h1>	
ROHS/REACH <small>RESTRICTION OF HAZARDOUS SUBSTANCES/REGISTRATION, EVALUATION, AUTHORIZATION, AND RESTRICTION OF CHEMICALS</small> <small>ALL MATERIALS USED IN THIS PART MUST BE ROHS/REACH COMPLIANT.</small> <small>SUPPLIER SHALL PROVIDE A CERTIFICATE OF ROHS COMPLIANCE AND A REACH DECLARATION OF SUBSTANCES WITH THE FIRST ARTICLE.</small>		DRAWN BY ScSong			
<small>DIMENSIONS SHOWN ARE FOR REFERENCE AND INSPECTION ONLY. REFER TO CAD MODEL PROVIDED WITH THIS DRAWING FOR OVERALL DEFINITION OF PART GEOMETRY.</small>		DATE 21/08/2020		NO. 200005568	
		DATE 09/04/2020		REV A	
		PROJECT MANAGER/ENGINEER		SIZE A3	
				SCALE 1:5	
				DO NOT SCALE DRAWING	
				SHEET 4 OF 8	

STEP 5/5

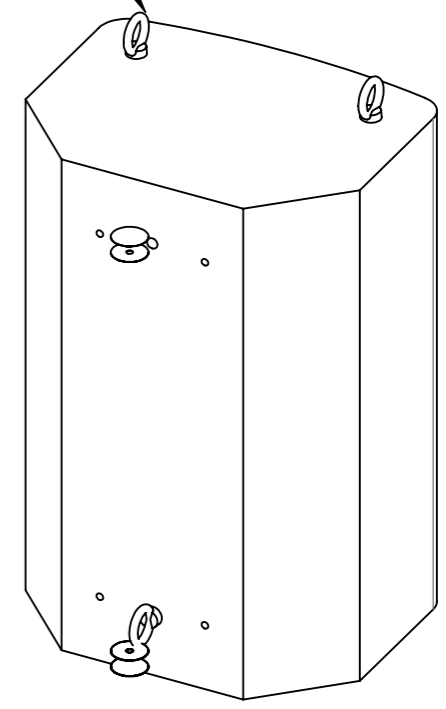
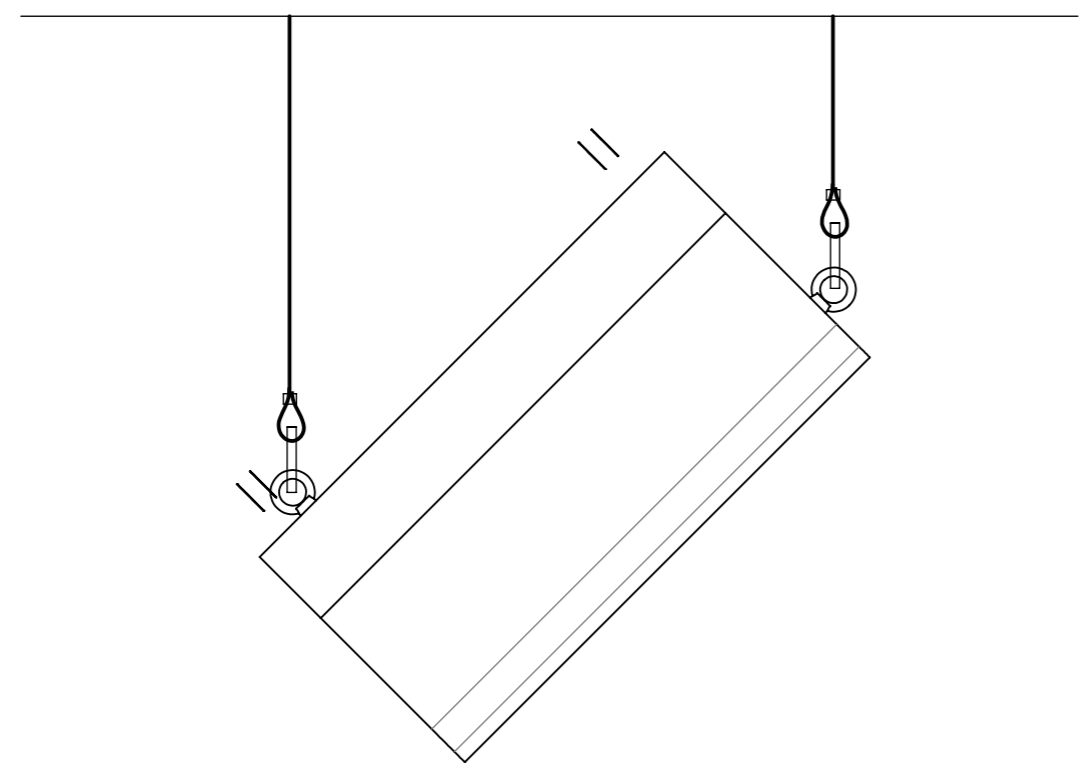
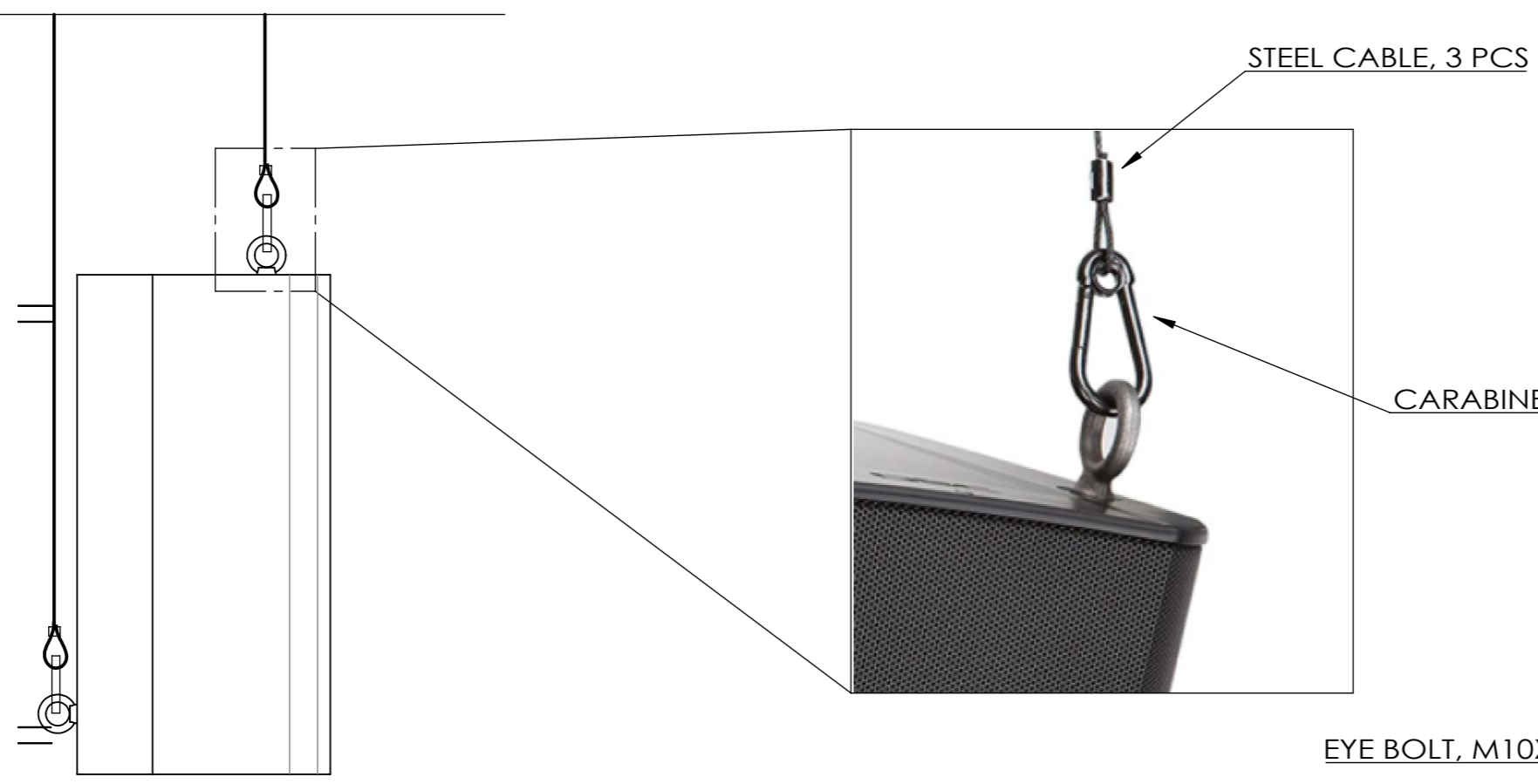


ASSEMBLED

<small>PROPRIETARY AND CONFIDENTIAL PROPERTY OF HARMAN. DO NOT DISCLOSE, REPRODUCE, OR PUBLISH WITHOUT WRITTEN HARMAN APPROVAL.</small> ROHS/REACH <small>RESTRICTION OF HAZARDOUS SUBSTANCES/REGISTRATION, EVALUATION, AUTHORIZATION, AND RESTRICTION OF CHEMICALS</small> <small>ALL MATERIALS USED IN THIS PART MUST BE ROHS/REACH COMPLIANT.</small> <small>SUPPLIER SHALL PROVIDE A CERTIFICATE OF ROHS COMPLIANCE AND A REACH DECLARATION OF SUBSTANCES WITH THE FIRST ARTICLE.</small>	<small>DIMENSIONS SHOWN ARE FOR REFERENCE AND INSPECTION ONLY. REFER TO CAD MODEL PROVIDED WITH THIS DRAWING FOR OVERALL DEFINITION OF PART GEOMETRY.</small>	<small>FIRST ANGLE PROJECTION</small> 	HARMAN	
		<small>DRAWN BY</small> ScSong	<small>DATE</small> 21/08/2020	<small>TITLE</small> Yoke Mount Assy
<small>PROJECT MANAGER/ENGINEER</small> PXiong	<small>DATE</small> 09/04/2020	<small>NO.</small> 200005568	<small>REV</small> A	<small>SHEET</small> 5
<small>SIZE</small> A3	<small>SCALE</small> 1:5	<small>DO NOT SCALE DRAWING</small>	<small>OF</small> 8	

0 1 2 3 4 5 6 7 8 9

F
E
D
C
B
A



<small>PROPRIETARY AND CONFIDENTIAL PROPERTY OF HARMAN. DO NOT DISCLOSE, REPRODUCE, OR PUBLISH WITHOUT WRITTEN HARMAN APPROVAL.</small>		FIRST ANGLE PROJECTION		<h1>HARMAN</h1>	
ROHS/REACH <small>RESTRICTION OF HAZARDOUS SUBSTANCES/REGISTRATION, EVALUATION, AUTHORIZATION, AND RESTRICTION OF CHEMICALS</small> <small>ALL MATERIALS USED IN THIS PART MUST BE ROHS/REACH COMPLIANT.</small> <small>SUPPLIER SHALL PROVIDE A CERTIFICATE OF ROHS COMPLIANCE AND A REACH DECLARATION OF SUBSTANCES WITH THE FIRST ARTICLE.</small>		<small>DIMENSIONS SHOWN ARE FOR REFERENCE AND INSPECTION ONLY. REFER TO CAD MODEL PROVIDED WITH THIS DRAWING FOR OVERALL DEFINITION OF PART GEOMETRY.</small>			
<small>DRAWN BY</small> ScSong		<small>DATE</small> 21/08/2020		<small>SIZE</small> A3	
<small>DESIGNED BY</small> PXiong		<small>DATE</small> 09/04/2020		<small>SCALE</small> 1:7	
<small>PROJECT MANAGER/ENGINEER</small>		<small>DO NOT SCALE DRAWING</small>		<small>SHEET OF</small> 6 8	

0 1 2 3 4 5 6 7 8 9

0 1 2 3 4 5 6 7 8 9

F

E

D

C

B

A

F

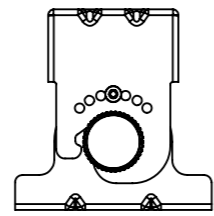
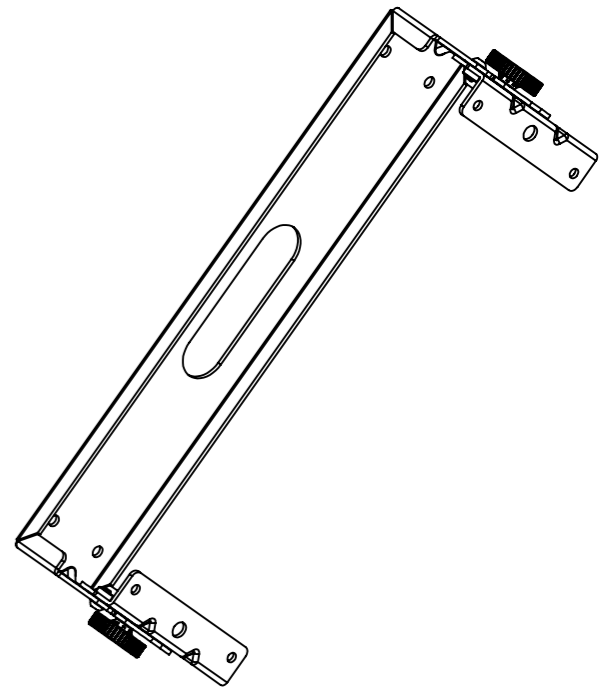
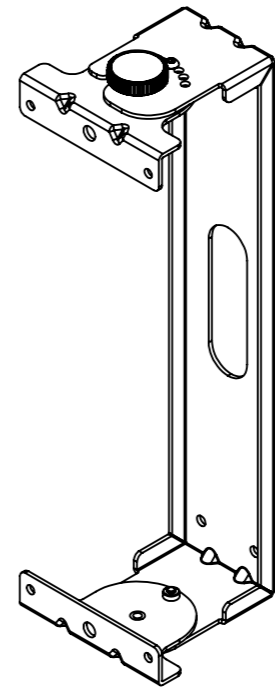
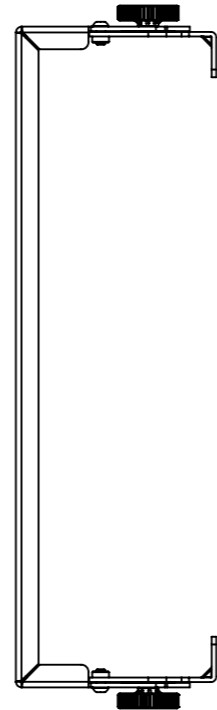
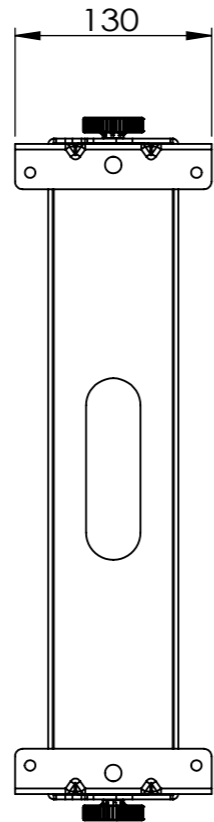
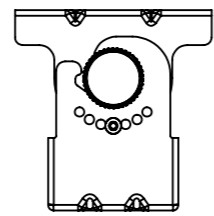
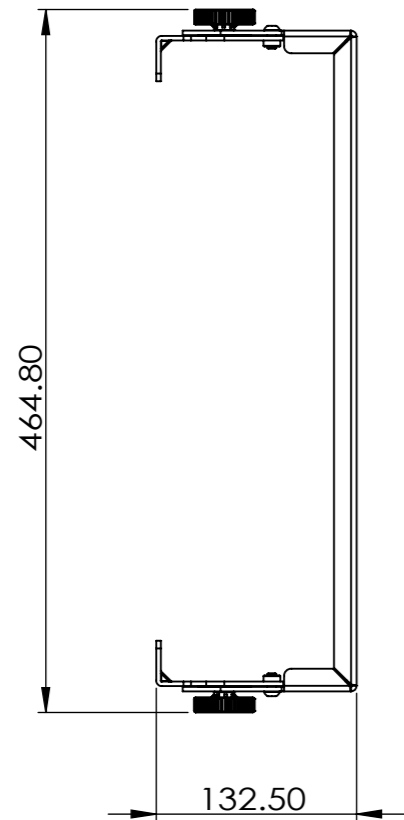
E

D

C

B

A



PROPRIETARY AND CONFIDENTIAL PROPERTY OF HARMAN. DO NOT DISCLOSE, REPRODUCE, OR PUBLISH WITHOUT WRITTEN HARMAN APPROVAL.

ROHS/REACH
 RESTRICTION OF HAZARDOUS SUBSTANCES/
 REGISTRATION, EVALUATION, AUTHORIZATION,
 AND RESTRICTION OF CHEMICALS
 ALL MATERIALS USED IN THIS PART MUST BE
 ROHS/REACH COMPLIANT.
 SUPPLIER SHALL PROVIDE A CERTIFICATE OF
 ROHS COMPLIANCE AND A REACH DECLARATION
 OF SUBSTANCES WITH THE FIRST ARTICLE.

DIMENSIONS SHOWN ARE FOR REFERENCE AND INSPECTION ONLY. REFER TO CAD MODEL PROVIDED WITH THIS DRAWING FOR OVERALL DEFINITION OF PART GEOMETRY.

FIRST ANGLE PROJECTION

DRAWN BY ScSong DATE 21/08/2020
 DESIGNED BY PXiong DATE 09/04/2020
 PROJECT MANAGER/ENGINEER

HARMAN

TITLE JBL EON700 YOKE MOUNT

NO. JBL-EON700 YOKE REV A

SIZE A3 SCALE 1:5 DO NOT SCALE DRAWING SHEET 7 OF 8

0 1 2 3 4 5 6 7 8 9

0 1 2 3 4 5 6 7 8 9

F

E

D

C

B

A

F

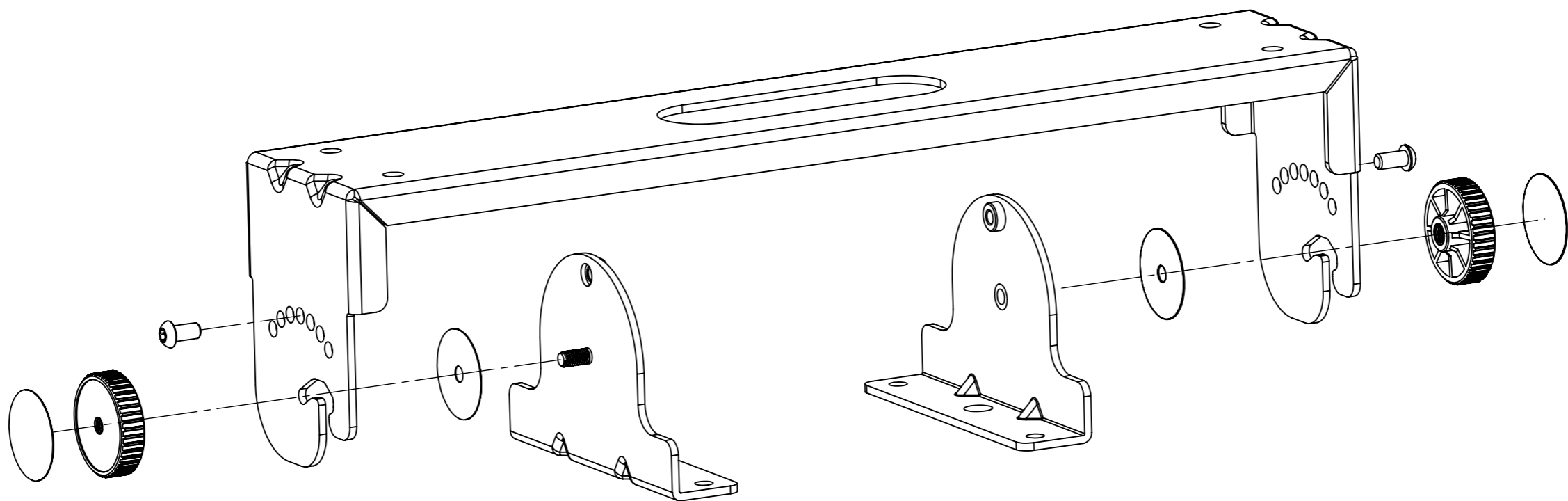
E

D

C

B

A



PROPRIETARY AND CONFIDENTIAL PROPERTY OF HARMAN. DO NOT DISCLOSE, REPRODUCE, OR PUBLISH WITHOUT WRITTEN HARMAN APPROVAL.

ROHS/REACH
RESTRICTION OF HAZARDOUS SUBSTANCES/
REGISTRATION, EVALUATION, AUTHORIZATION,
AND RESTRICTION OF CHEMICALS

ALL MATERIALS USED IN THIS PART MUST BE ROHS/REACH COMPLIANT.

SUPPLIER SHALL PROVIDE A CERTIFICATE OF ROHS COMPLIANCE AND A REACH DECLARATION OF SUBSTANCES WITH THE FIRST ARTICLE.

FIRST ANGLE PROJECTION

DRAWN BY
ScSong

DESIGNED BY
PXiong

PROJECT MANAGER/ENGINEER

DATE
21/08/2020

DATE
09/04/2020

DIMENSIONS SHOWN ARE FOR REFERENCE AND INSPECTION ONLY. REFER TO CAD MODEL PROVIDED WITH THIS DRAWING FOR OVERALL DEFINITION OF PART GEOMETRY.

NO.
JBL-EON700 YOKE

SCALE
1:5

DO NOT SCALE DRAWING

SIZE
A3

HARMAN

TITLE
JBL-EON700 YOKE MOUNT

REV
A

SHEET
8

OF
8

0 1 2 3 4 5 6 7 8 9