

Condidea F-CM Mike

Confidea Flushmount Chairperson Microphone Unit



Description

The Confidea F-CM Mike is Televic’s chairperson microphone panel for basic discussion systems. Its small form factor, housed in an elegant casing, permits a minimalistic integration into any meeting room furniture.

Since the Confidea F-CM Mike panel has no integrated speaker, it is intended for use at venues where a room sound system is already installed.

The panel has a microphone connector to fit the new push-and-lock Mike microphone that reduces setup time. The chairman version has 2 additional buttons compared to the delegate unit: “Next-in-line” and “Priority”.

Benefits

The Confidea F-CM Mike is a sleek and discreet solution that is perfectly suited to conference rooms without an existing sound system.

The unit is available in a variety of custom colors, sizes and finishes to blend in neatly in any environment.

The Confidea F-CM Mike is backed by the Plixus® network and redundant cabling to ensure maximum reliability. Finally, its shielded microphone is immune to mobile phone interference.

Features

- » Basic discussion function
- » Tactile microphone push button with integrated LED
- » Next-in-line button
- » Priority button
- » Rounded corners for easy installation
- » Trademark natural Televic Sound
- » Available in custom colors, sizes, finishes Basic discussion function

Connectivity

- » Push & Lock socket to connect a removable microphone:
 - Mike LPM 71.98.0091
 - Mike PLM301F 71.98.0093
 - Mike PLM401F 71.98.0094
 - Mike PLM502F 71.98.0095
 - Mike PLM602F 71.98.0096
 - Mike PLM402F 71.98.0098
- » Two RJ 45 connectors for loop through cabling
- » Plixus-powered

Software

To fully configure, manage, and use the unit, Televic’s CoCon management software is required. The following standard licenses are available:

- » CoCon Discussion 71.98.1101
- » CoCon Signage 71.98.1102

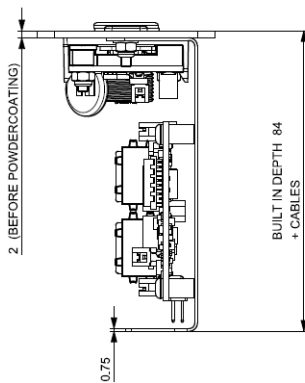
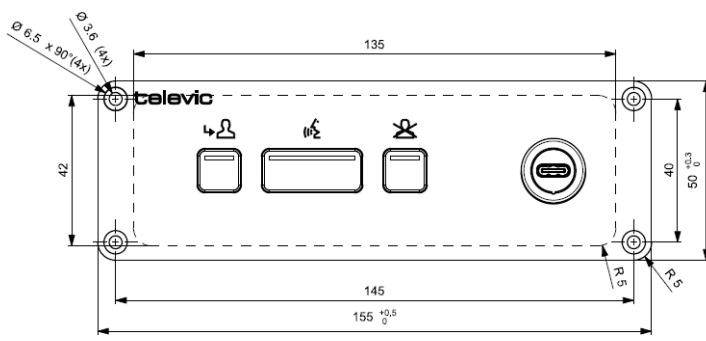
Specifications

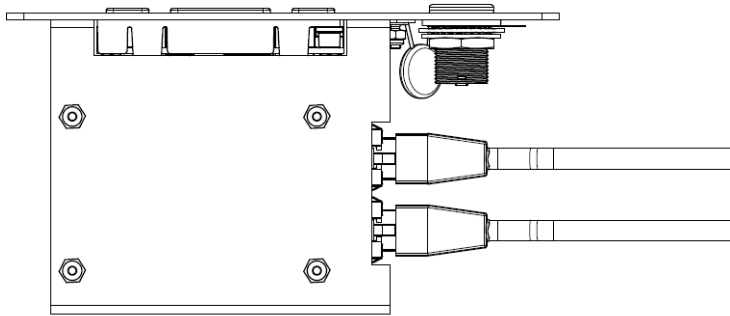
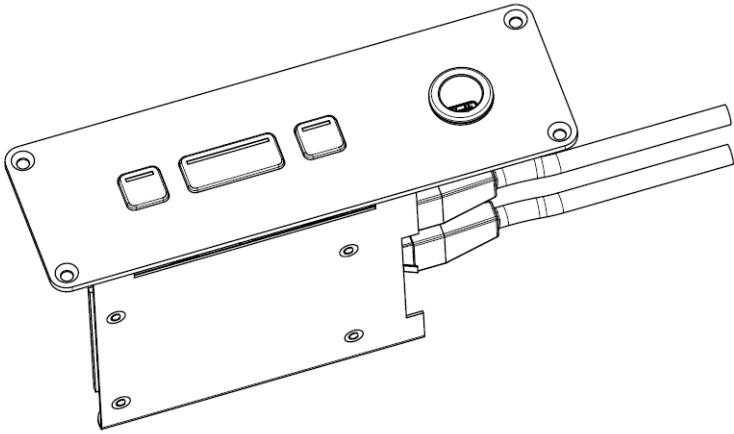
Mechanical	
Material	Steel
Color	Tiger coating Carbon 01
Size (mm)	155 (w) × 50 (h) × 85 (d)
Size packed (mm)	190 (w) × 85 (h) × 105 (d)
Weight	280 g
Weight packed	360 g
Electrical	
Voltage	48 VDC
Current consumption	3 W
Microphone Input	
Dynamic range	> 90 dB
Frequency response	20-20,000 Hz
THD @ nominal level	0.1%

Certification

Region	Certification
Europe	CE

Technical Drawings





HQ Belgium

+32 51 30 30 45

conference@televic.com

<https://www.televic.com/en/conference>

Asia

+86 21 61 48 01 23

conference@televic.com

www.televic-conference.com.cn

France

+33 3 74 09 52 76

conference-france@televic.com

www.televic-conference.fr

United States

+1 916 920 0901

conference-us@televic.com

All information copyright Televic Conference, 2024.
Televic reserves the right to change this document
without notice.

Version 1.0

