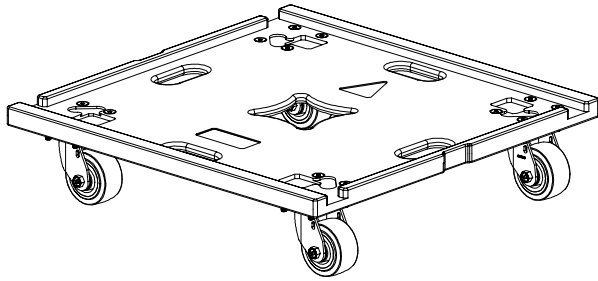




SRX918S VT

Vertical Transporter for SRX918S/SF

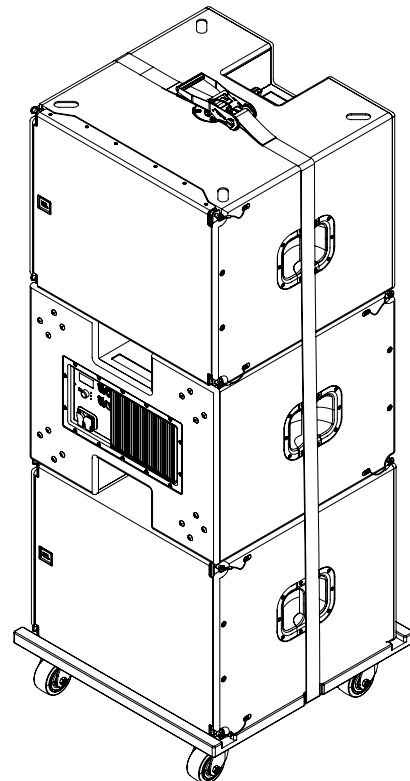
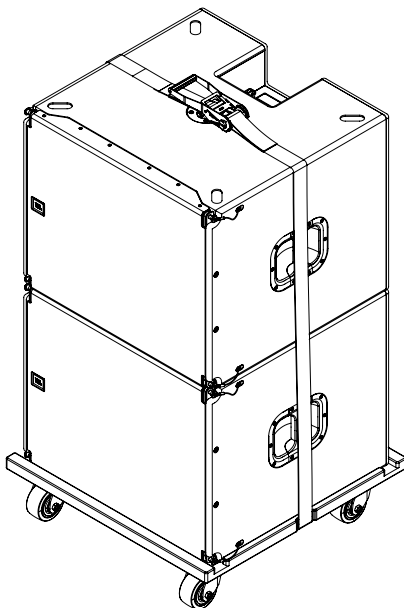


HIGHLIGHTS

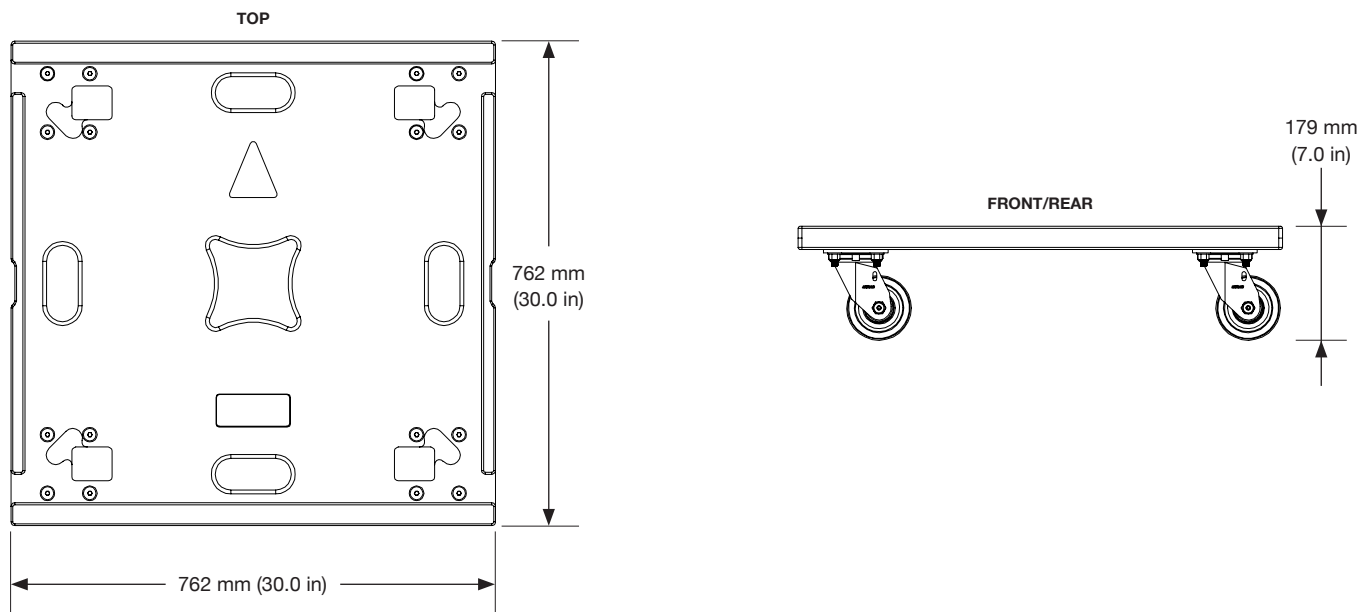
- Vertical transport cart for SRX918S/SRX918SF
- Support for up to three cabinets
- Truck-friendly dimensions
- Built-in stacking features for easy storage
- Heavy duty casters
- One black ratchet strap included

DESCRIPTION

The SRX918S VT Vertical Transporter is a robust, lightweight cart solution for vertically transporting up to three SRX918S or SRX918SF enclosures. The SRX918S VT is constructed out of outdoor grade birch plywood and measures 762 mm (30 in) wide and 762 mm (30 in) deep. When transported in blocks of two or three, SRX918S/SF cabinets can be configured in either front-firing or cardioid mode. A 50 mm wide, black ratchet strap is included to secure the cabinets onto the VT. The SRX918S VT CVR, a reinforced protective cover, is available and supplied separately. A caster kit and single cabinet cover is available for individual SRX918S/SF transportation (ACK1, SRX918S CVR, SRX918SF CVR). For more information about the Vertical Transporter and use cases, refer to the **SRX900 Rigging Manual**.



DIMENSIONS



TECHNICAL SPECIFICATIONS

PHYSICAL

Construction : 18 mm outdoor grade birch plywood

Finish : Duraflex™

Mechanical Limits

Maximum : (3) SRX918S/SF

Safe Limit : (2) SRX918S/SF

Dimensions (H x W x D)¹ : 179 mm x 762 mm x 762 mm
7.0 in x 30.0 in x 30.0 in

Net Weight² : 16.3 kg (36 lbs)
Shipping Weight : 23.7 kg (52 lbs)

ORDERING INFORMATION

SKU : JBL-P3504MX | SRX918S VT

Included : (1) SRX918S VT | (1) Black Ratchet Strap

Footnotes:

- 1: Refer to the 2D and 3D Customer Drawings for more detailed dimensions
- 2: Ratchet Strap and cover not included

JBL continually engages in research related to product improvement. Some materials, production methods, and design refinements are introduced into existing products without notice as a routine expression of that philosophy. For this reason, any current JBL product may differ in some respect from its published description, but will always equal or exceed the original design specifications unless otherwise stated.